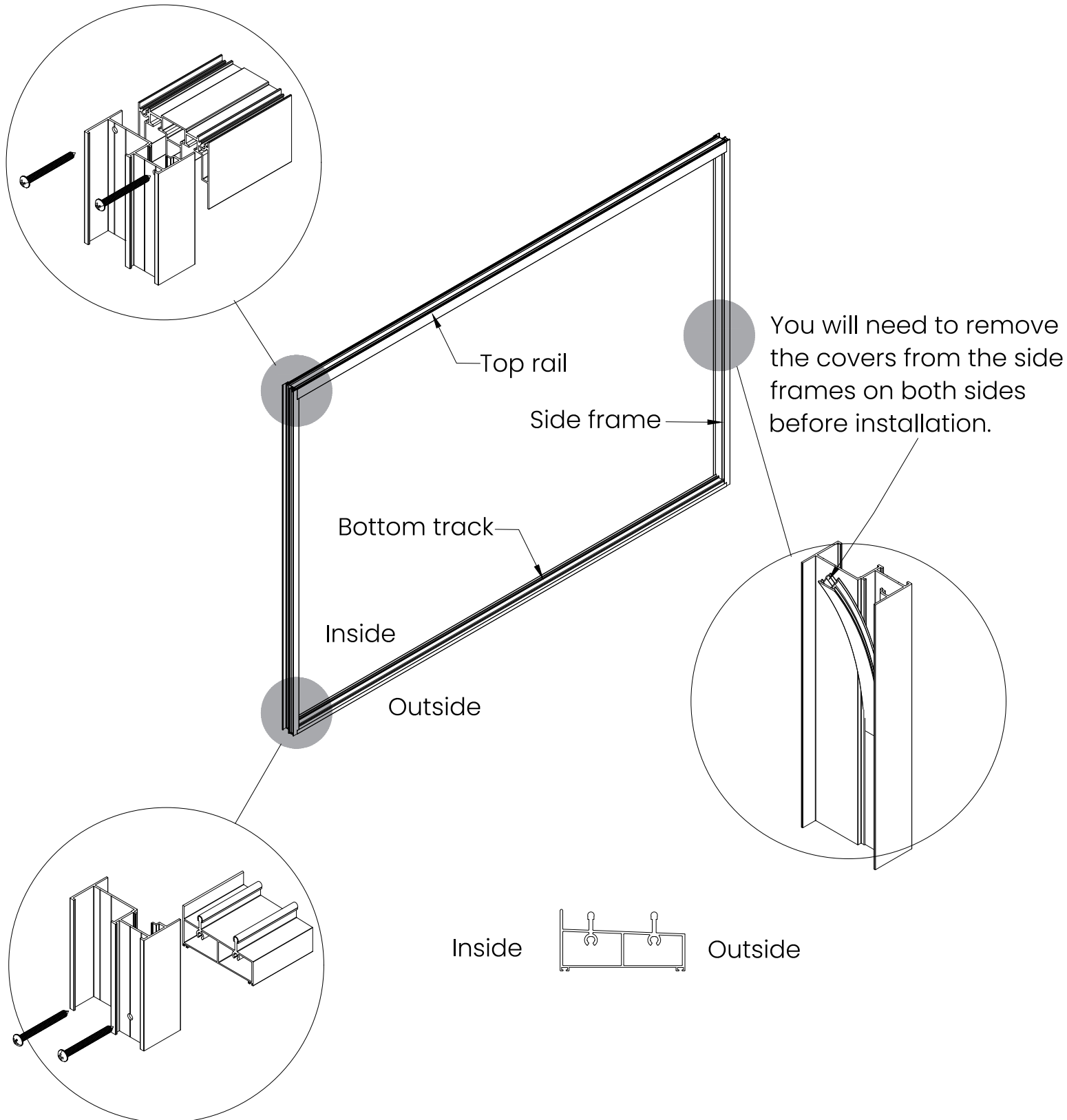


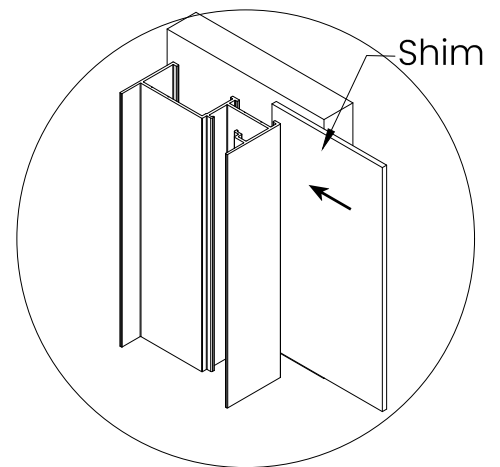
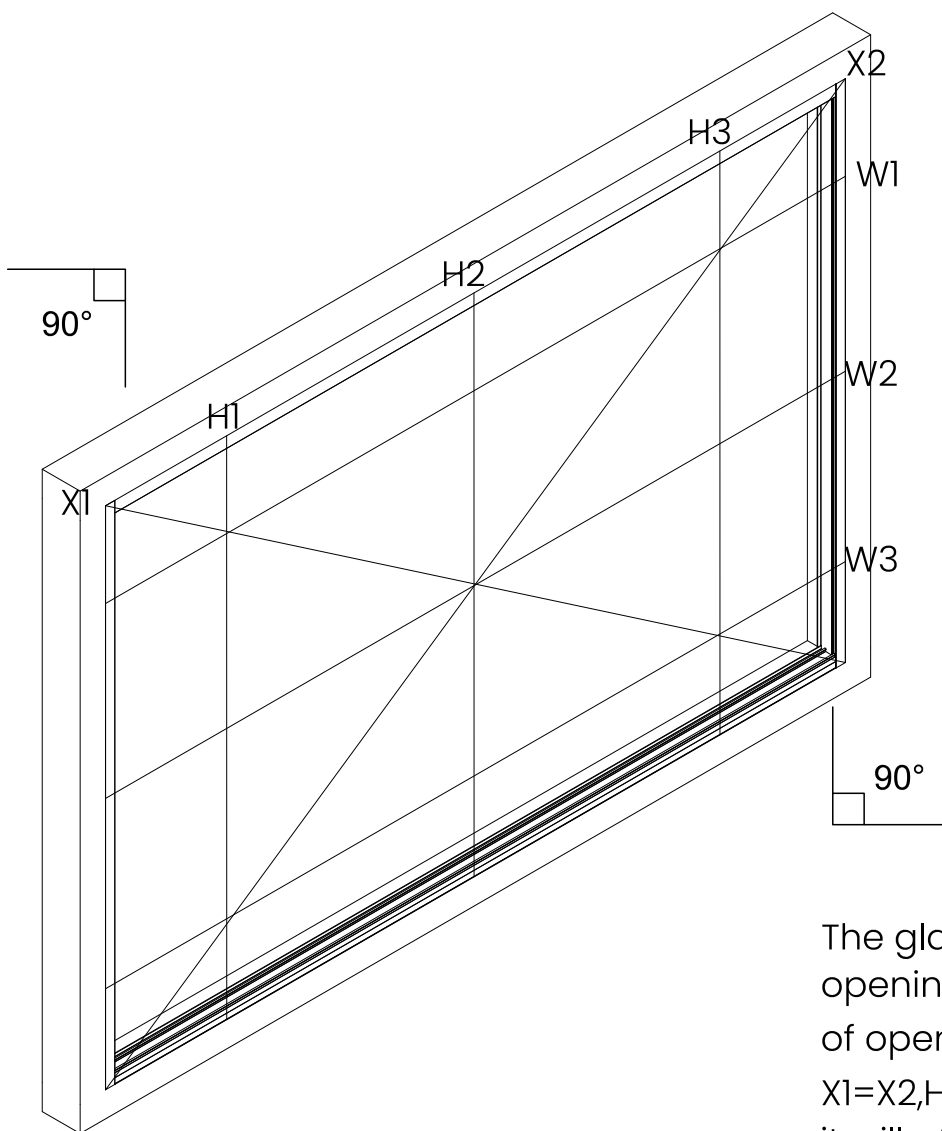
# ASSEMBLY

1. Use screws assembly the top rail/bottom track and side frame to be a structure.



# ASSEMBLY

2. The width between two side frame and diagonal should be measured and leveled. This is to ensure that the inner dimensions for installing the glass door is accurate.



If there is still a gap after adjustment, it can be leveled by adding shims or other pads. Please fix the shim according to the site(not provided).

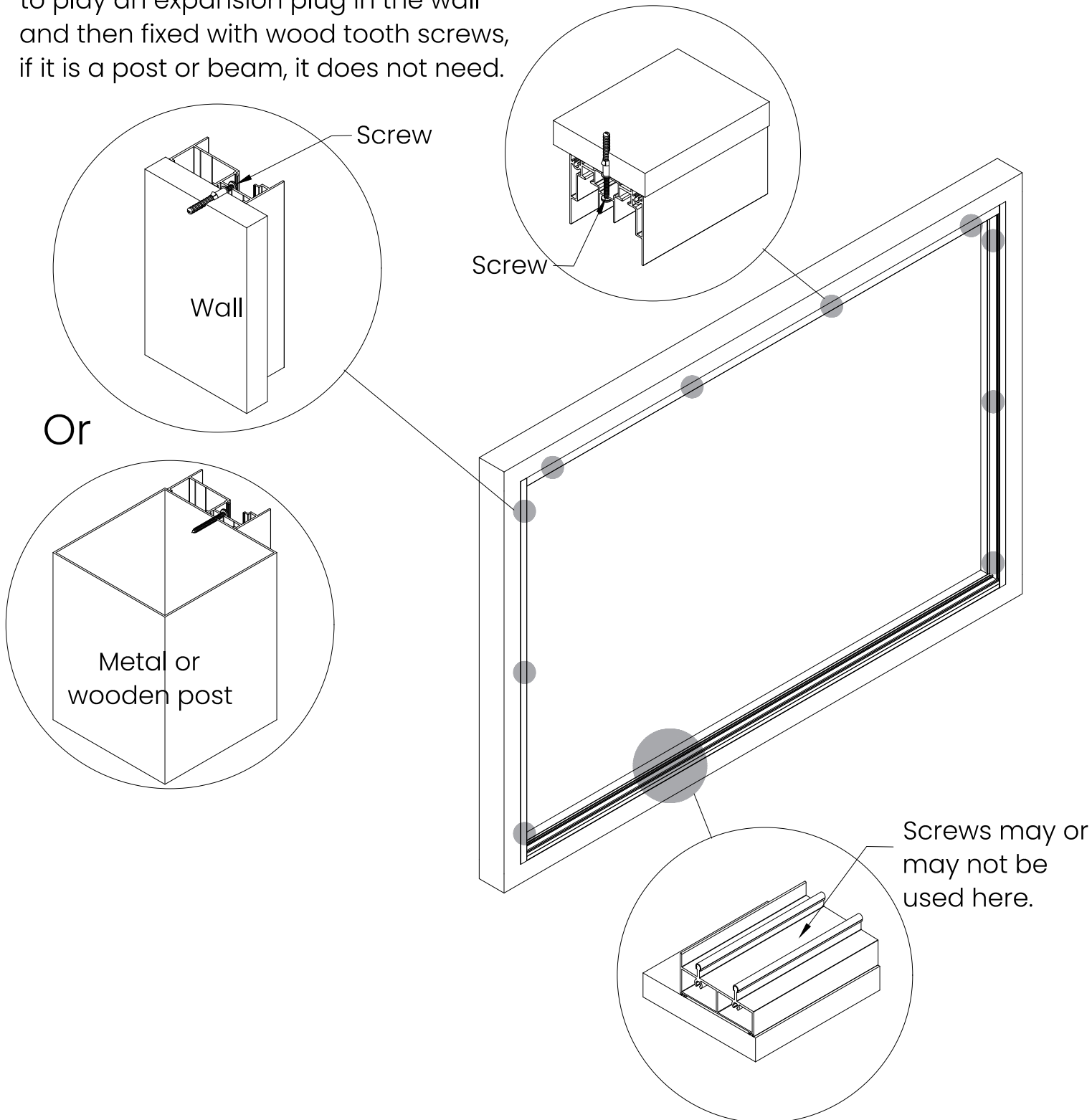
## IMPORTANT

The glass door install inside any type of opening sidewall, it must adjust the size of opening to make sure ( $W1=W2=W3$ ;  $X1=X2, H1=H2=H3$ ) all equal and fix. If not, it will affect the glass door operation. It is best to adjust with a level gauge.

# ASSEMBLY

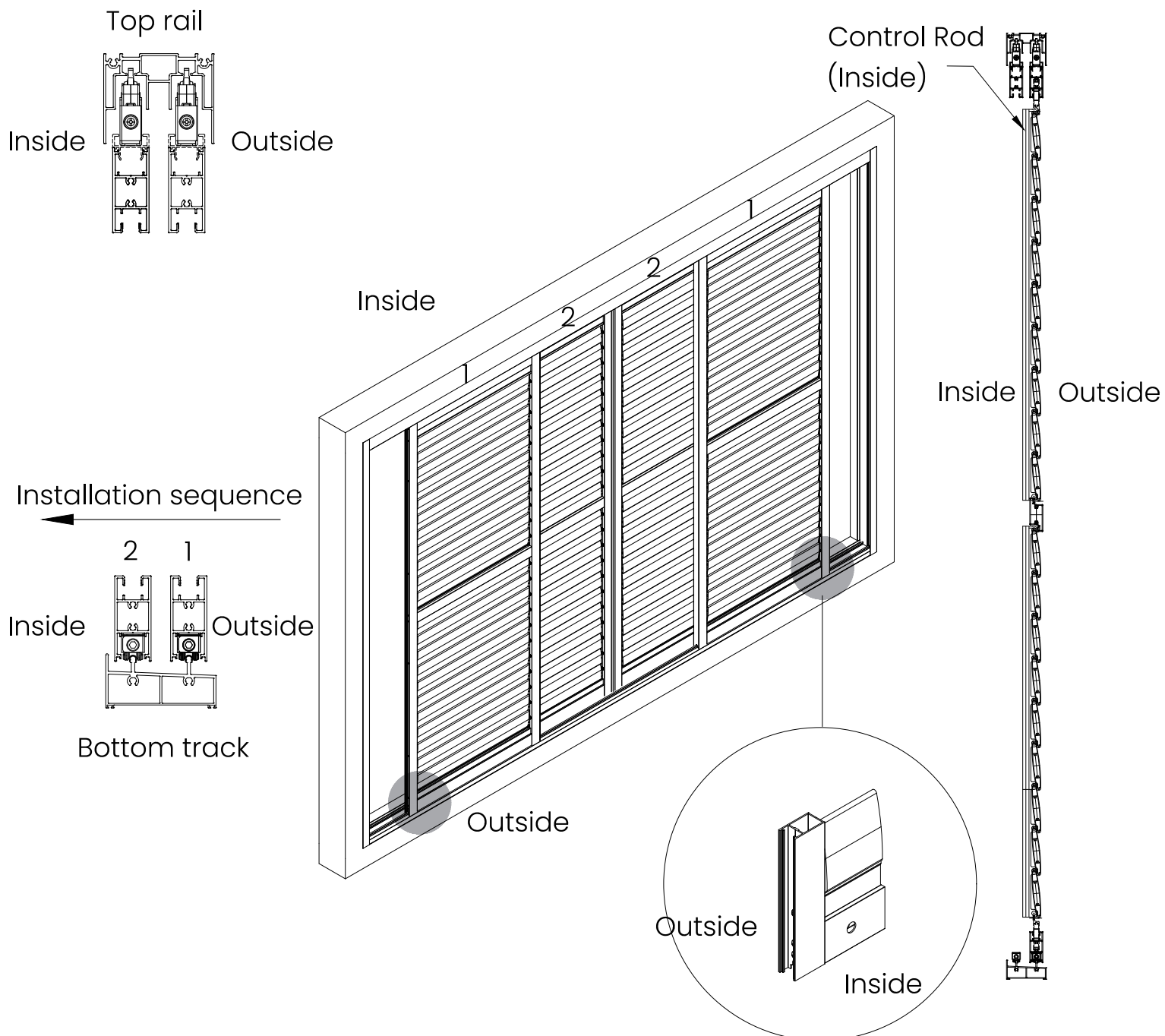
3. Use screws fixed the whole structure.

If the surrounding wall then you need to play an expansion plug in the wall and then fixed with wood tooth screws, if it is a post or beam, it does not need.



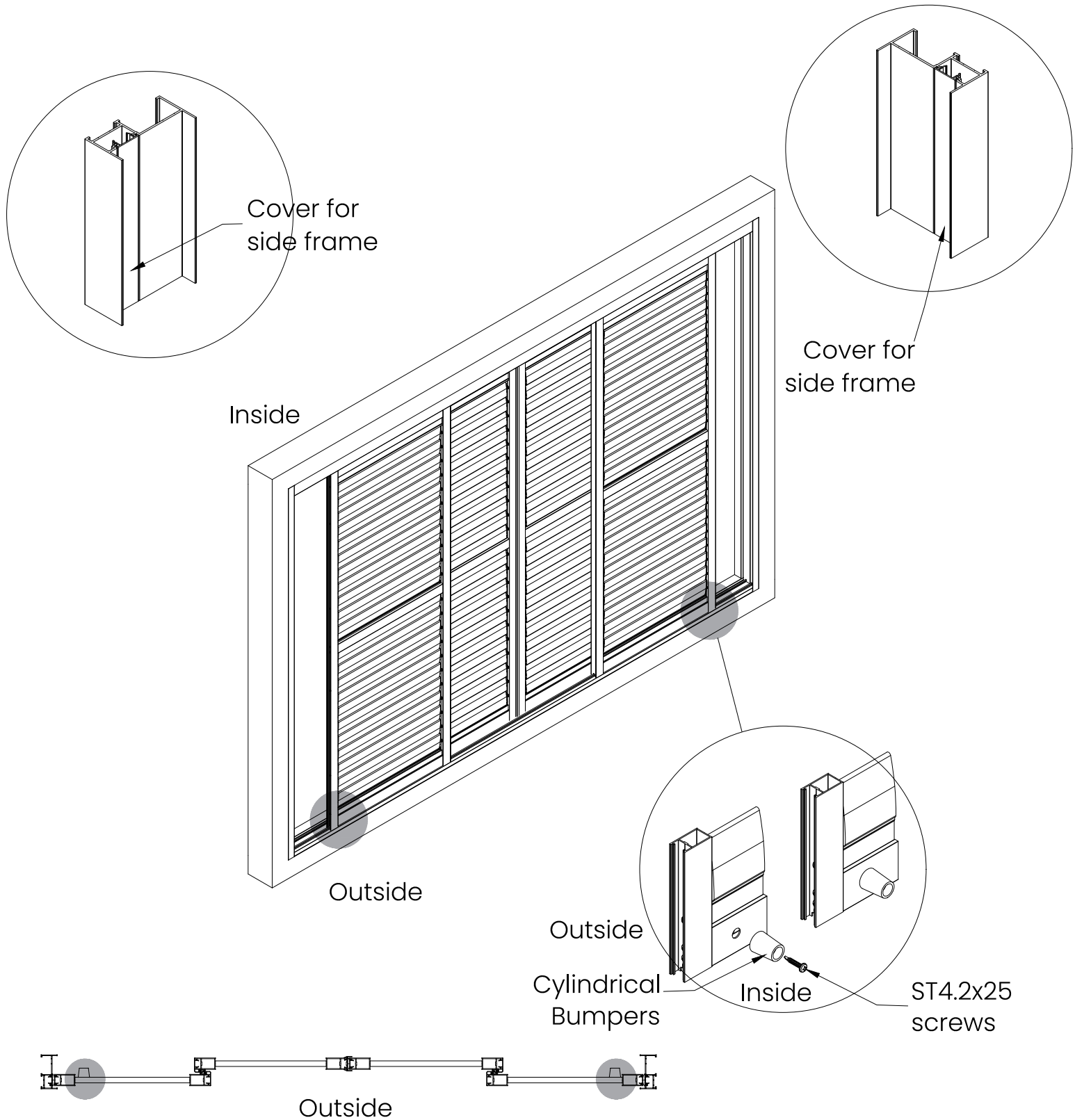
# ASSEMBLY

## 4. Assembling the Sliding Shutter Door to the track.



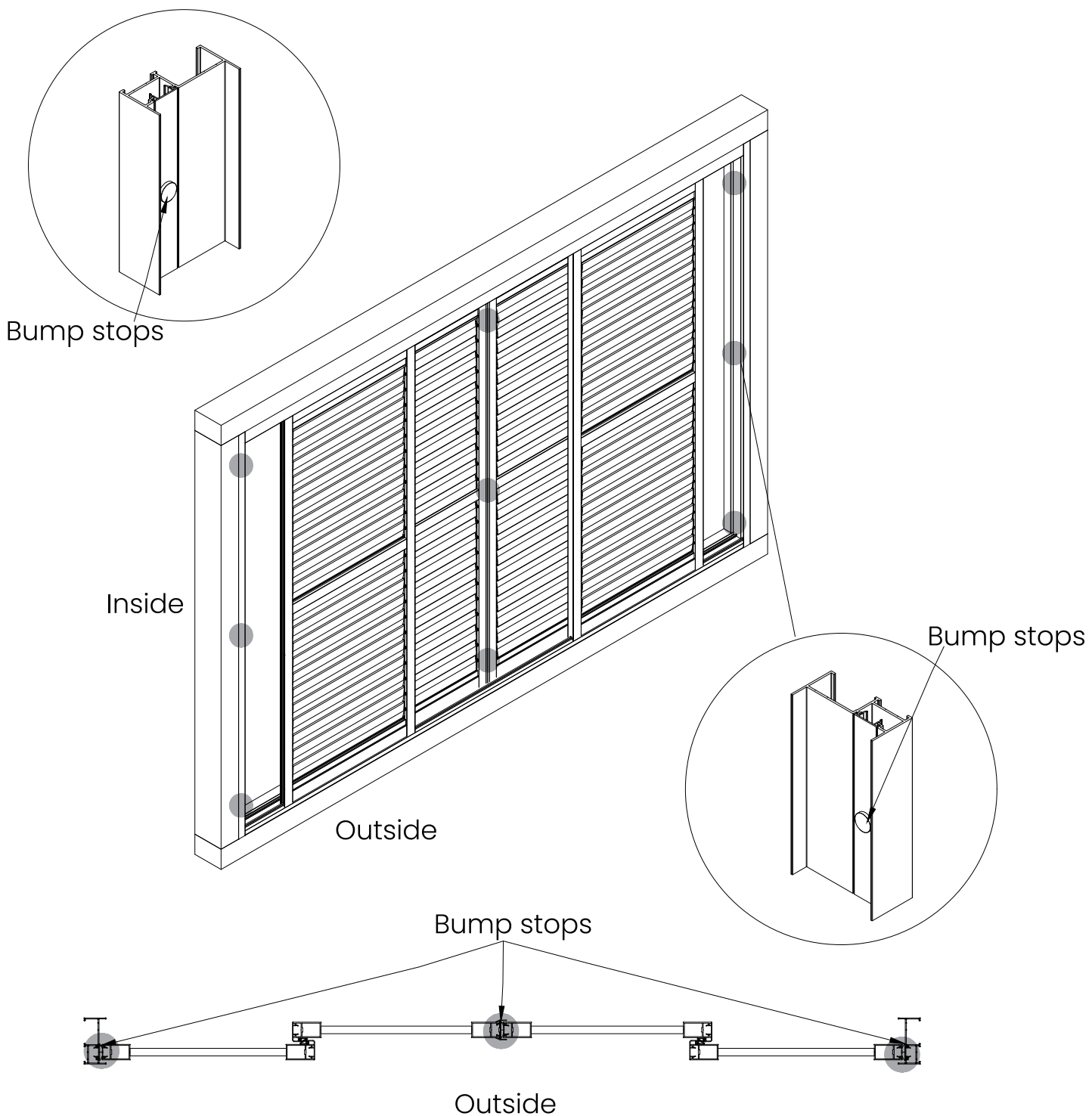
# ASSEMBLY

5. Put the Cover for side frame into the side frame, then fit Cylindrical Bumpers to the bottom of Sliding Shutter Door on the inside



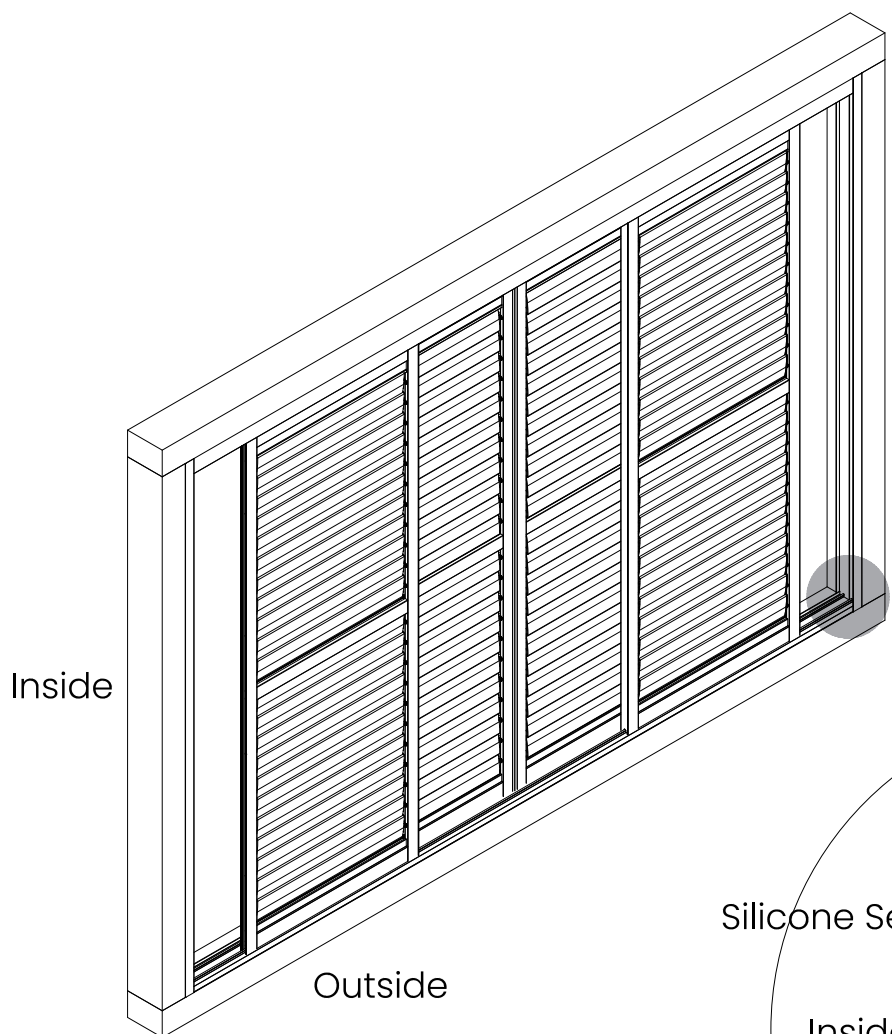
# ASSEMBLY

6. Stick three bump stops on the left, right and center side covers to slow down the impact.



# ASSEMBLY

7. apply silicone sealant on the inside of the sliding glass door frame. It will be more beautiful to apply silicone sealant on the outside.



For the Sliding Shutter Screens installed outside to achieve better water tightness, it is recommended to use silicone sealants. Otherwise please ignore this request.

