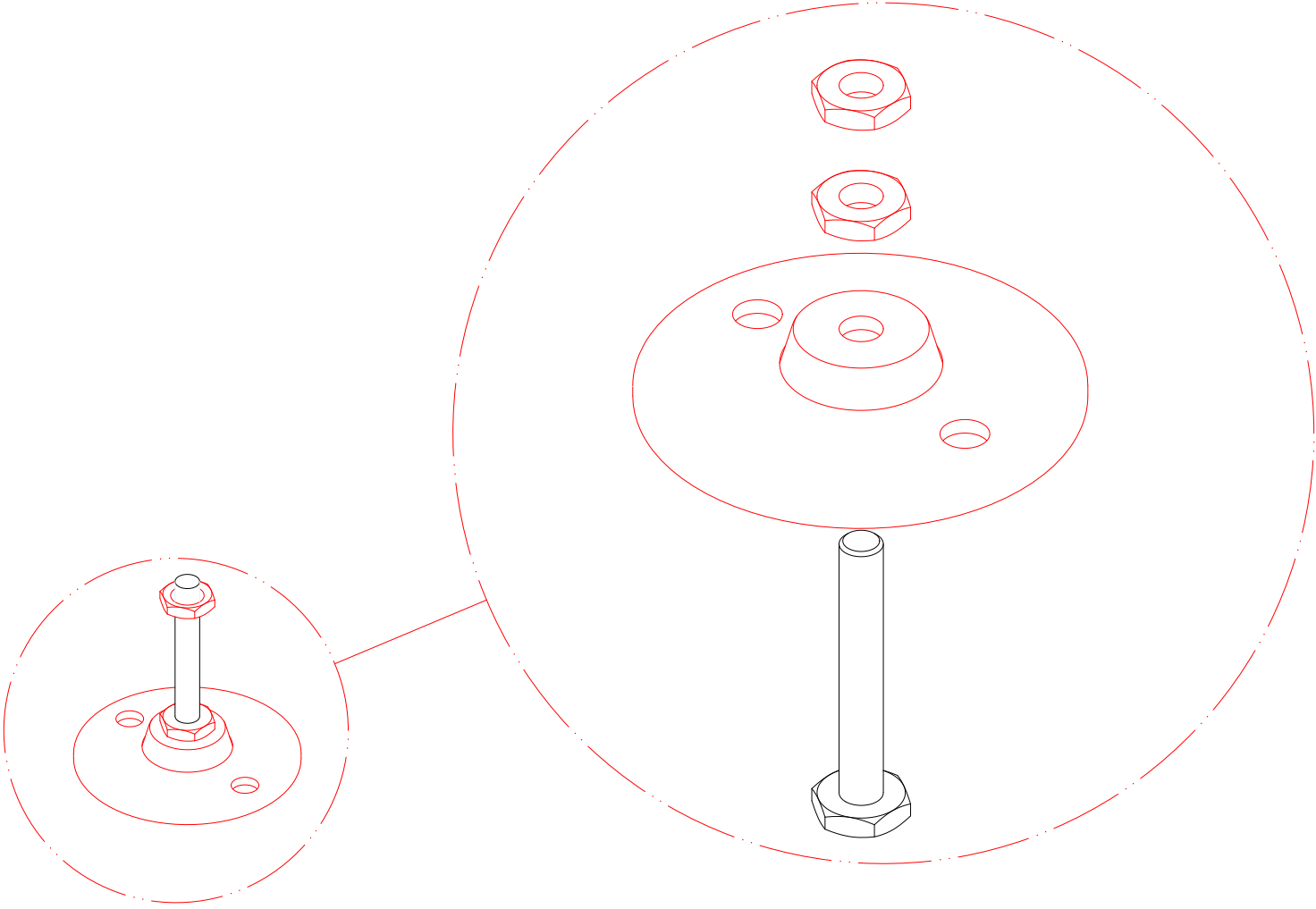


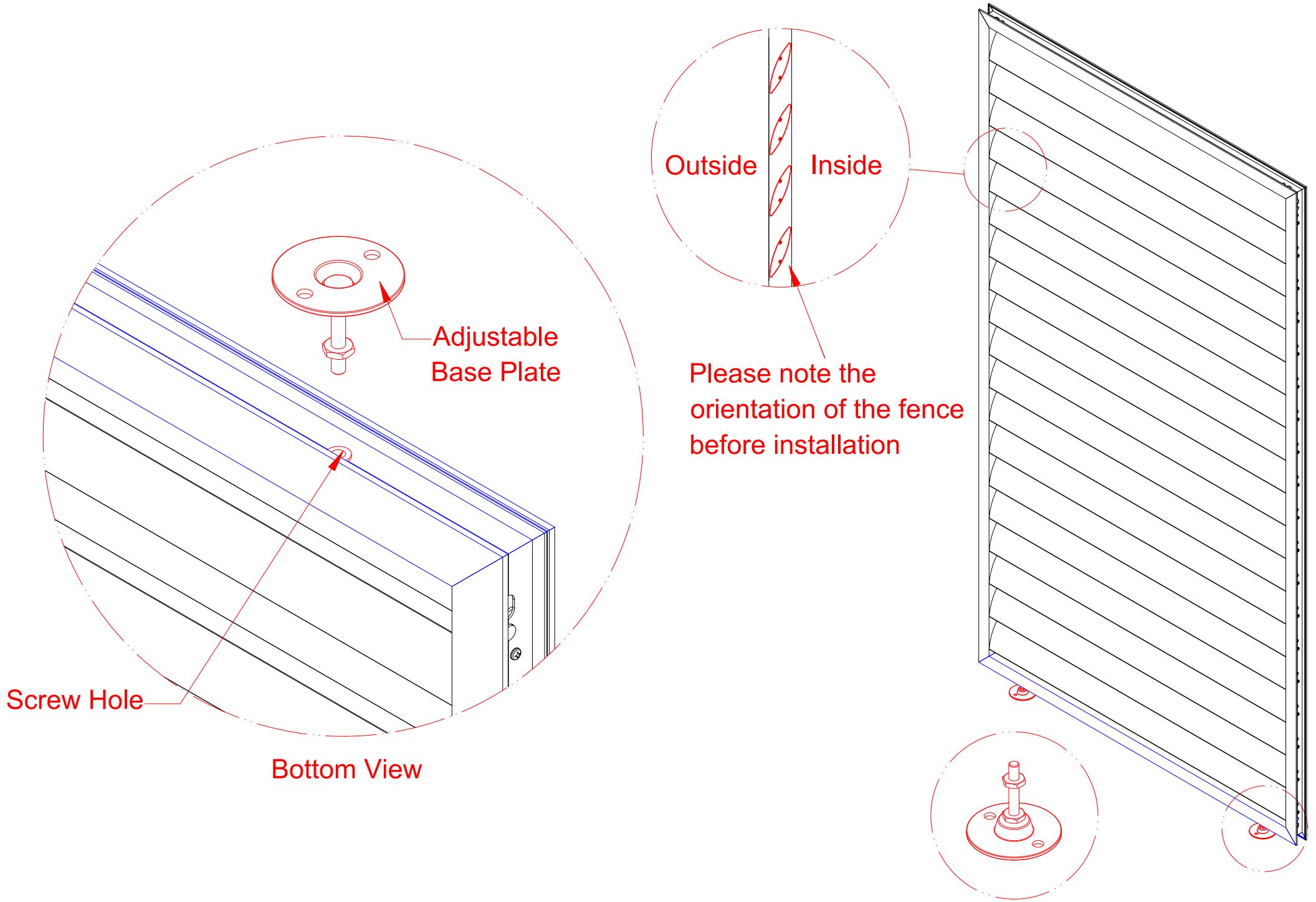
Installation Instruction

Aluminium Slat Wall

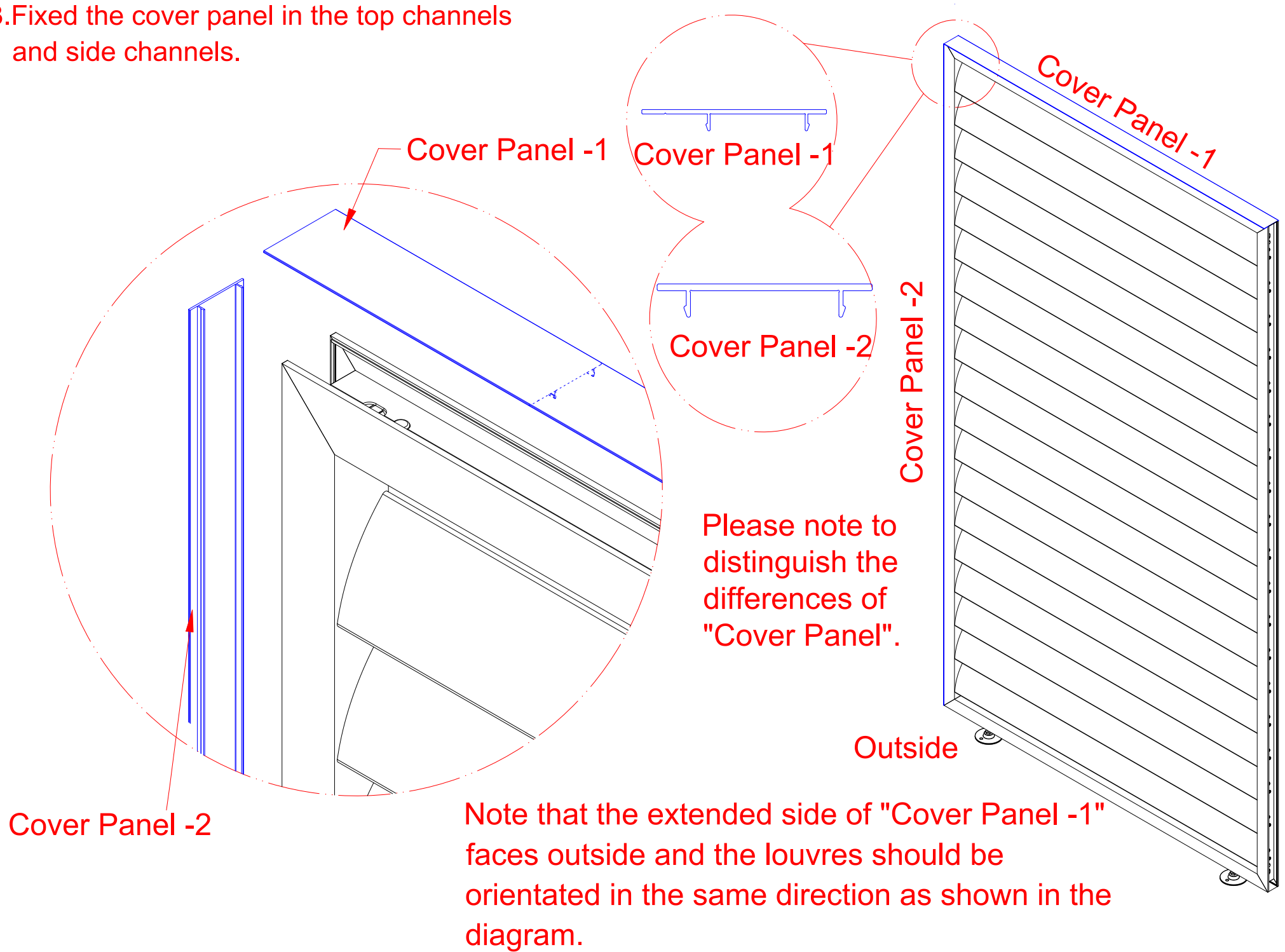
1. Fitting bolt into the base plate by two nuts.



2.Screw the base plate in the bottom hole of the slat wall.

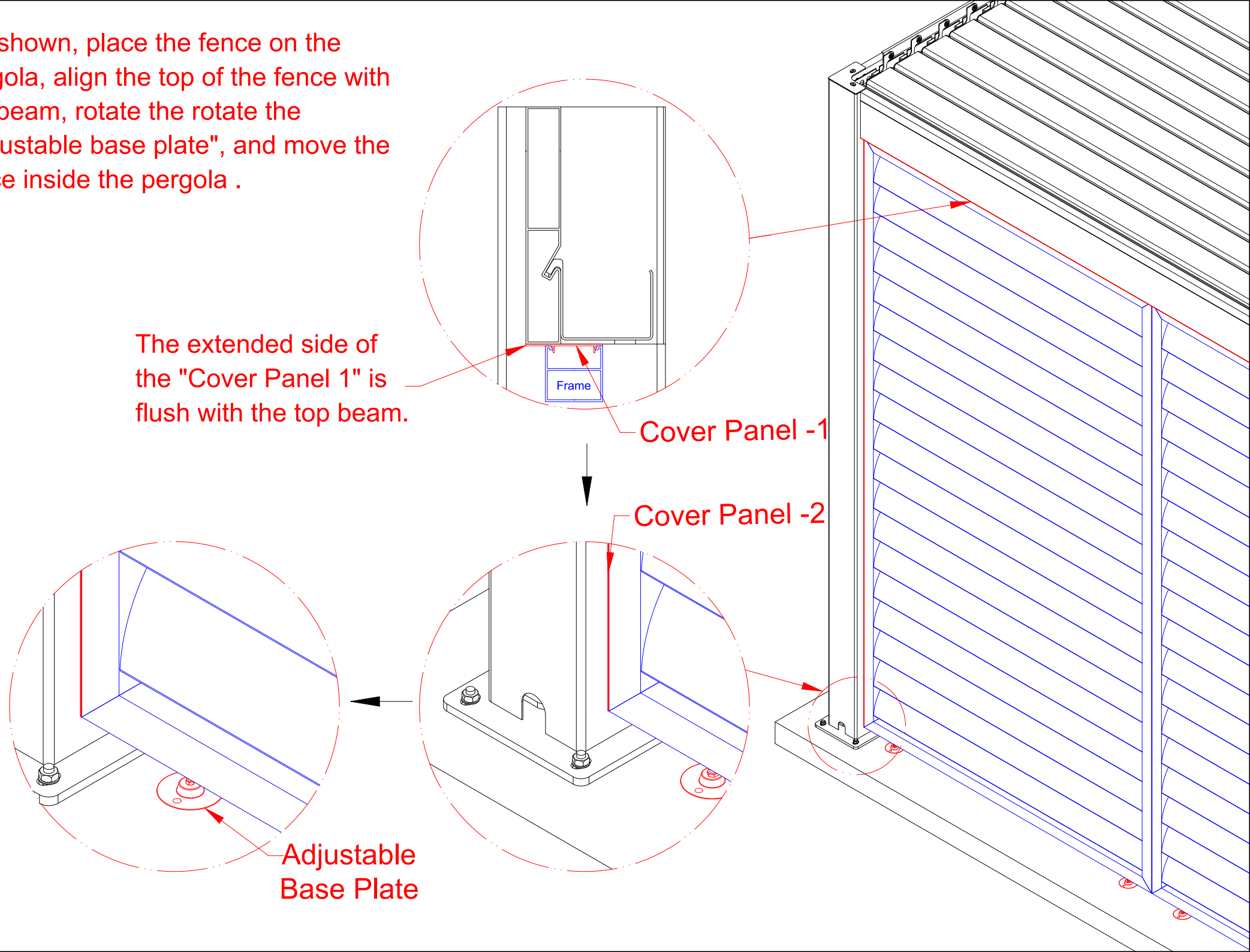


3. Fixed the cover panel in the top channels and side channels.



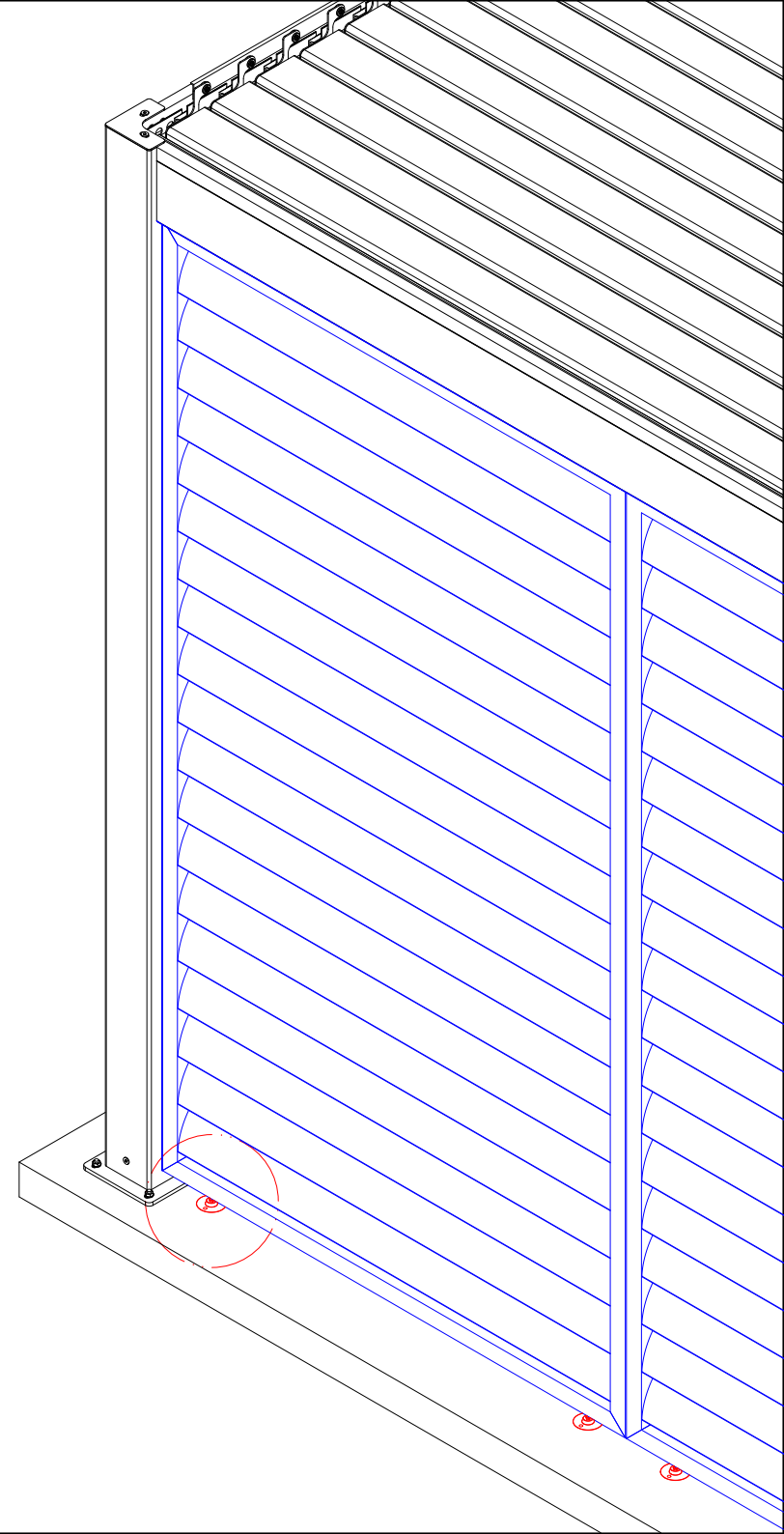
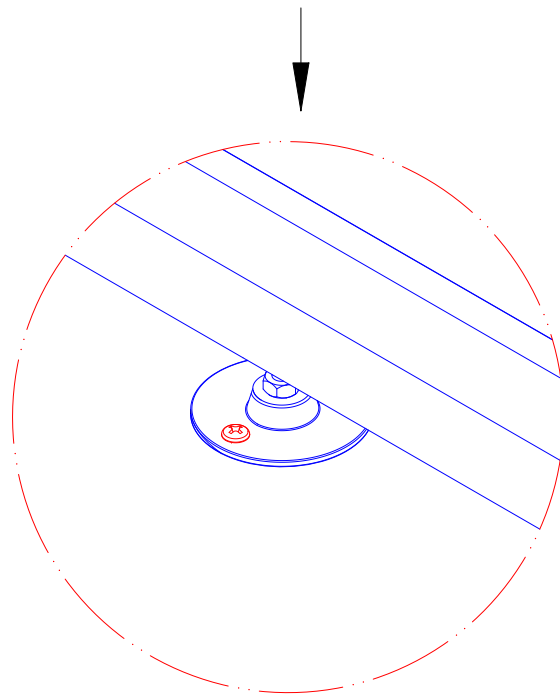
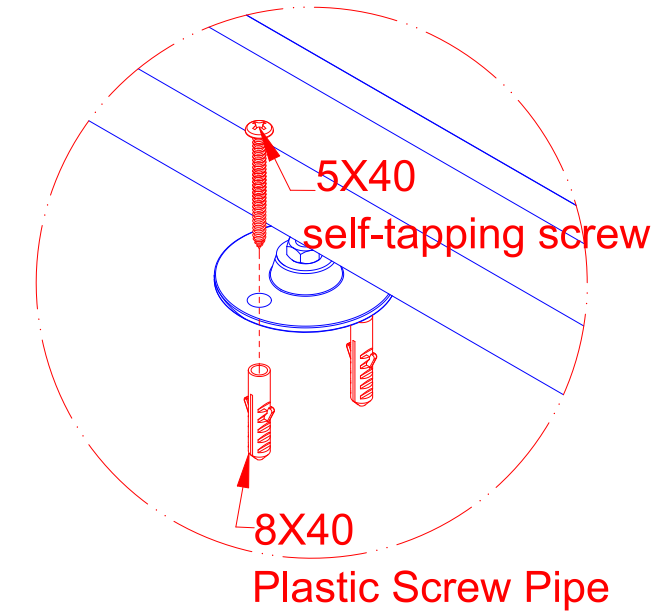
Note that the extended side of "Cover Panel -1" faces outside and the louvres should be orientated in the same direction as shown in the diagram.

4.As shown, place the fence on the pergola, align the top of the fence with the beam, rotate the rotate the "Adjustable base plate", and move the fence inside the pergola .

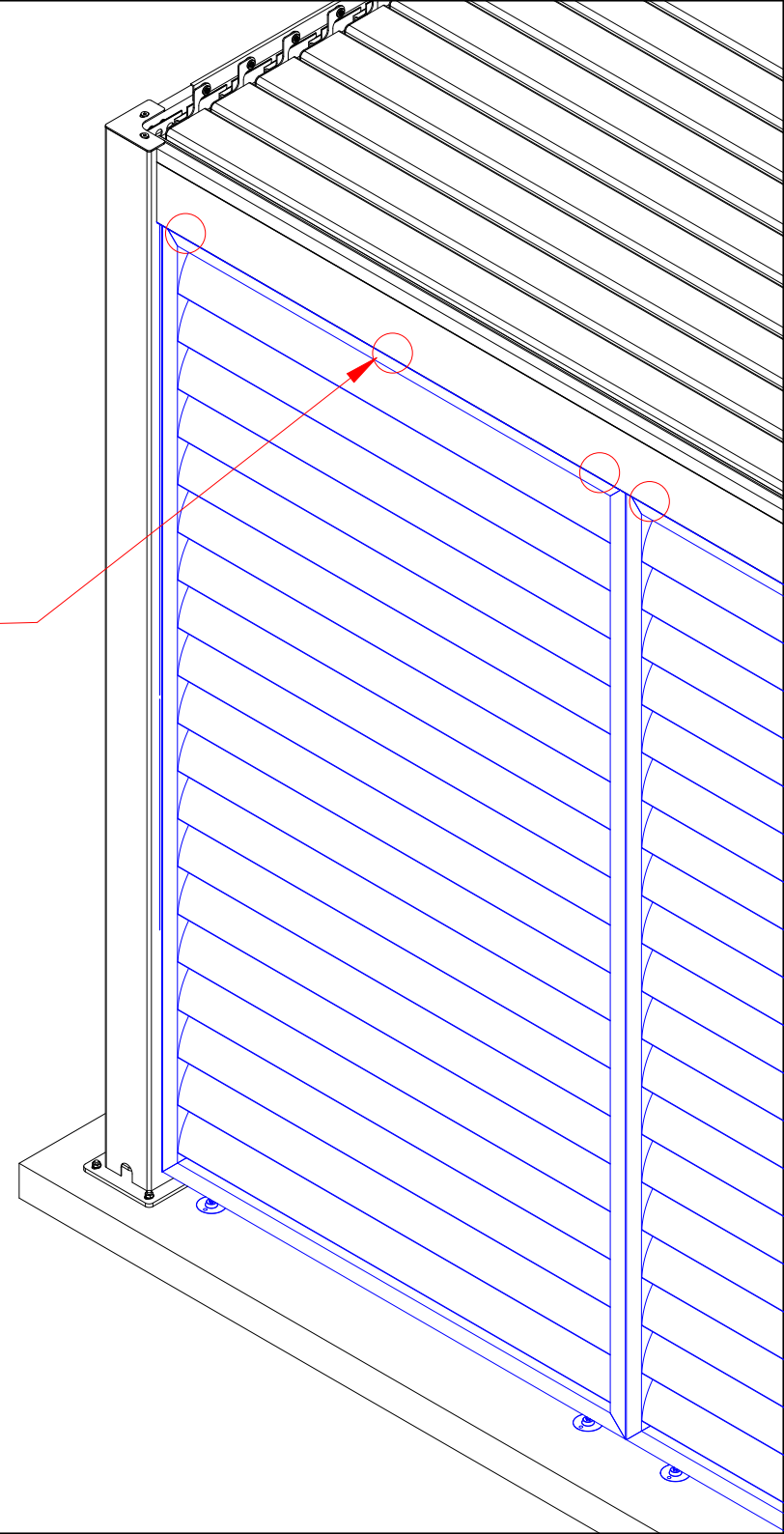
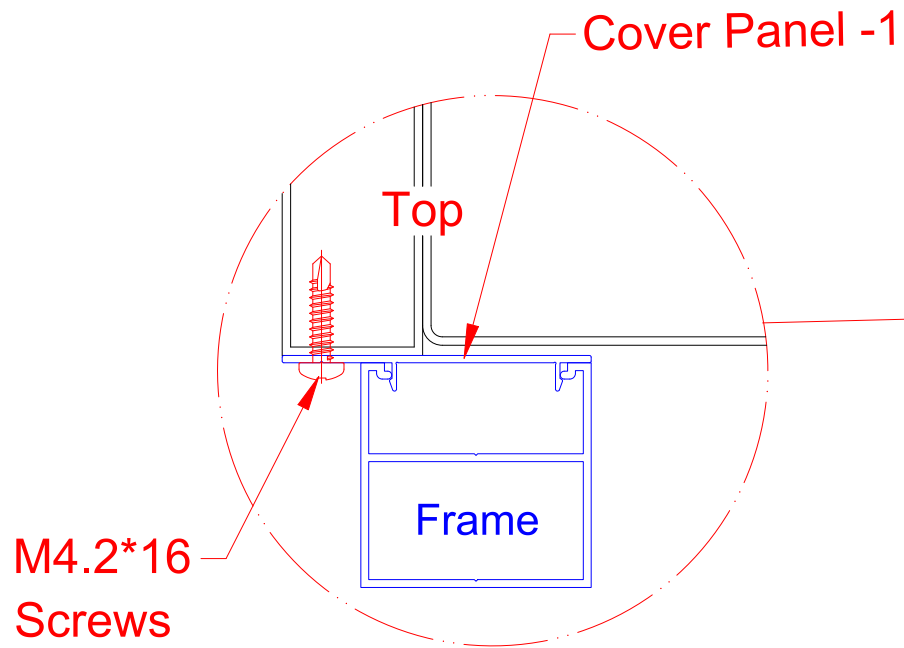


5.Fixed Base Plate Methods:

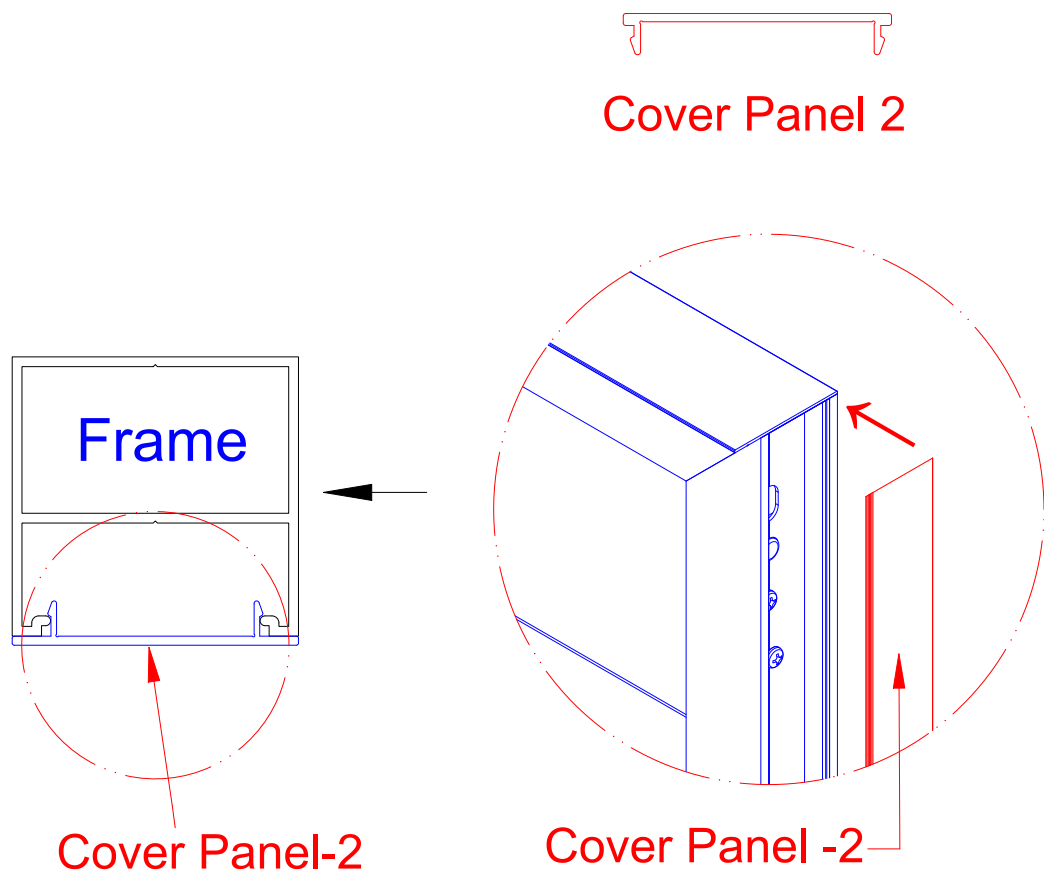
1)Fixed the 5X40 self-tapping screw.



6.Fixed the frame to beam with M4.2*16 screws.



7.As shown, please use "M4.2*50 screws to fasten two fences together.



Note:
Situation with only one
set of fences

