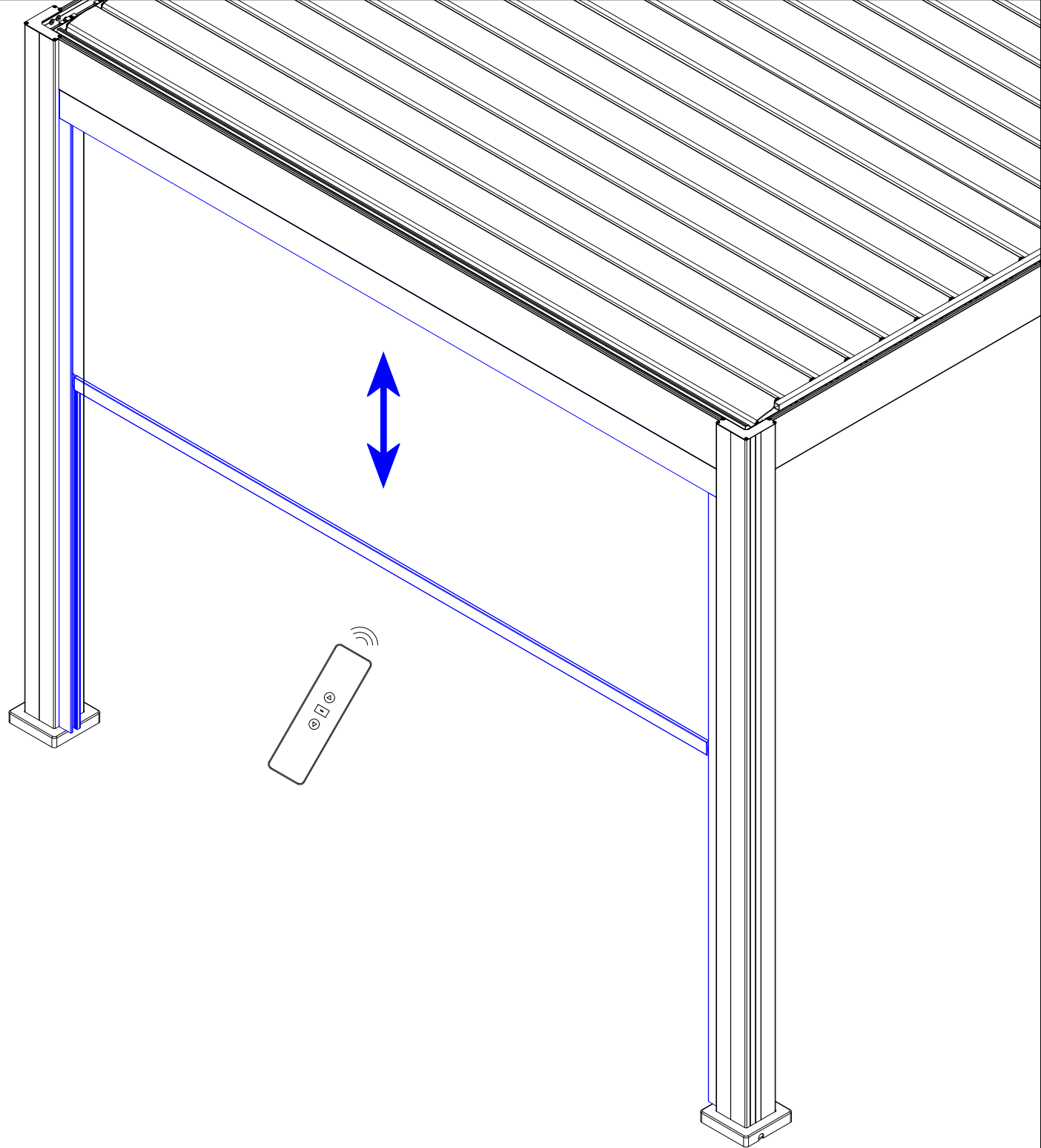
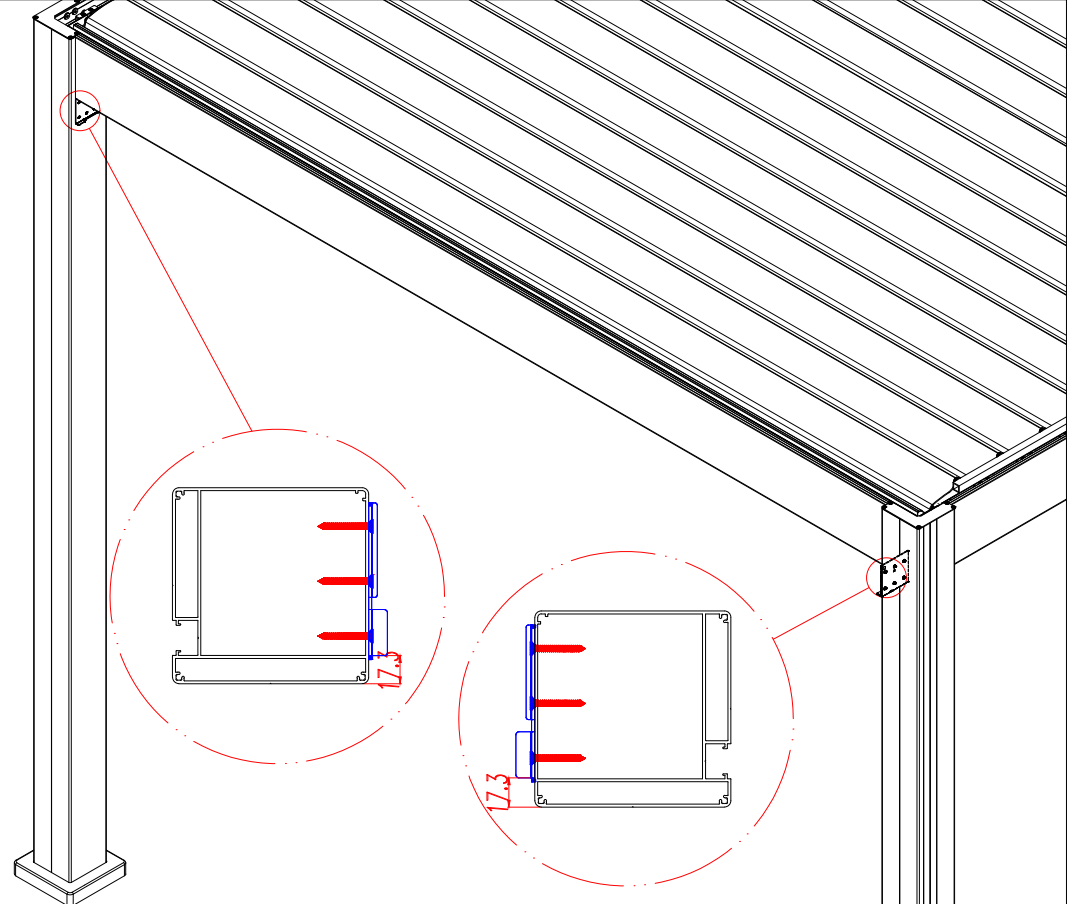
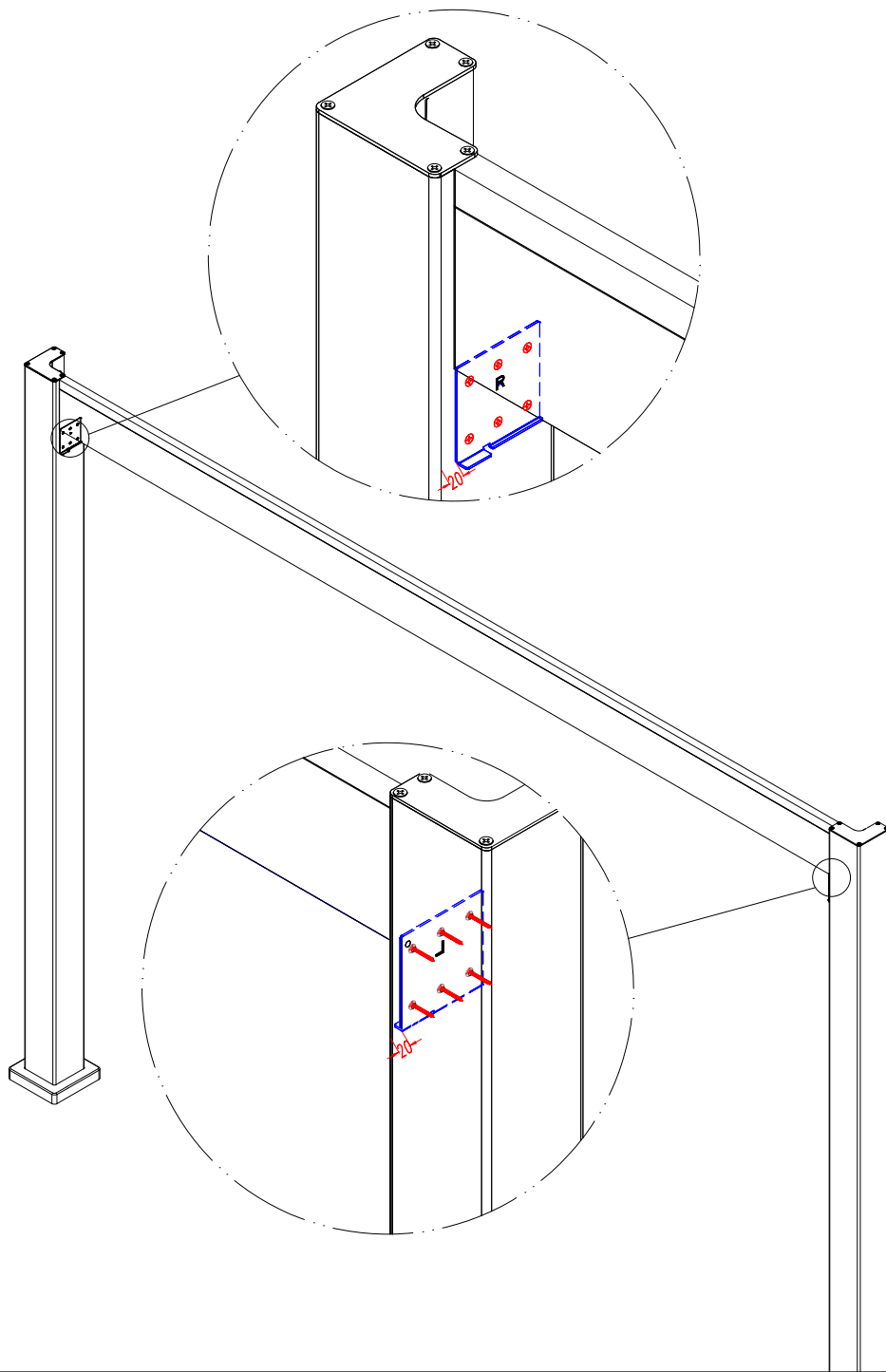




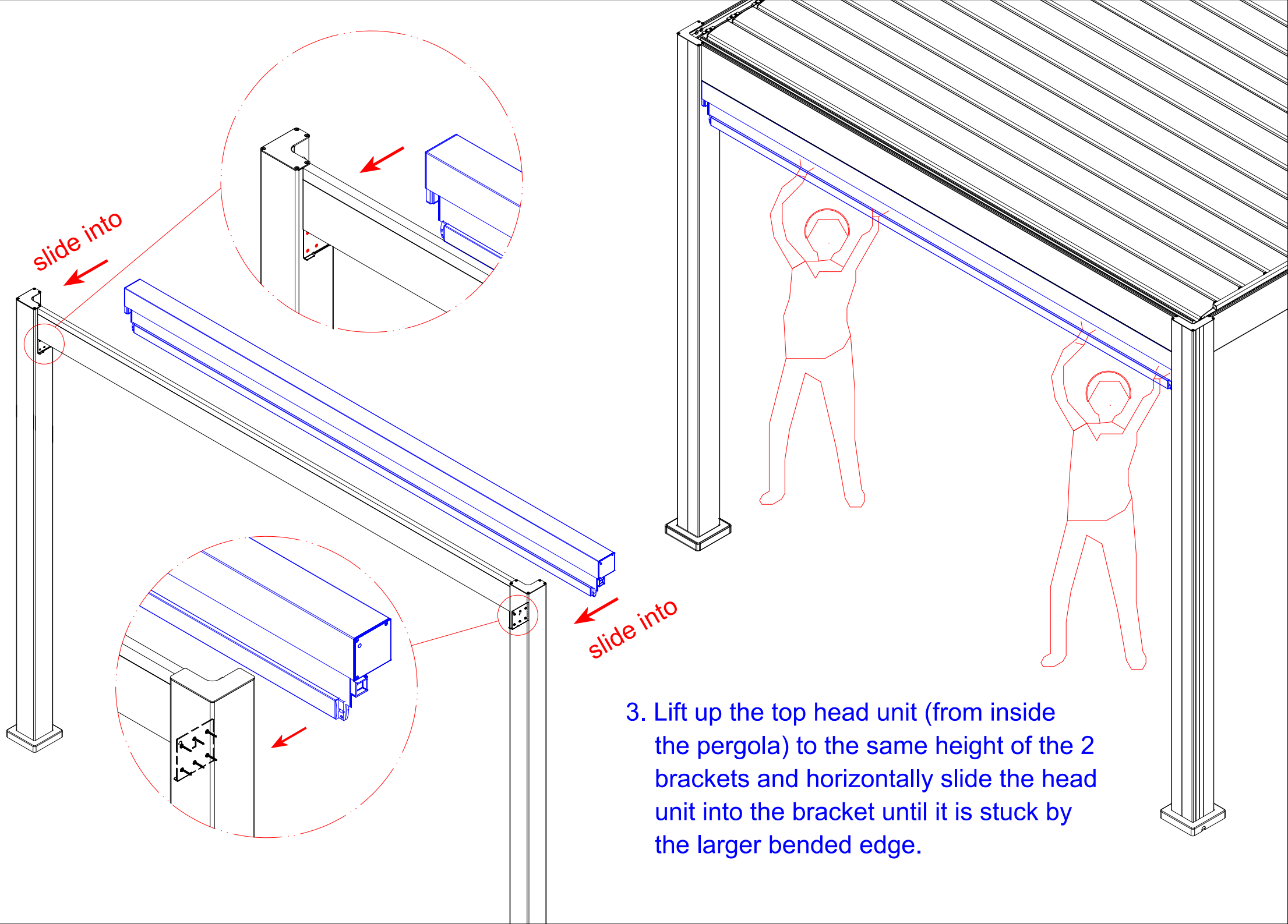
For both dimensions
and freestanding and
wall mounted version



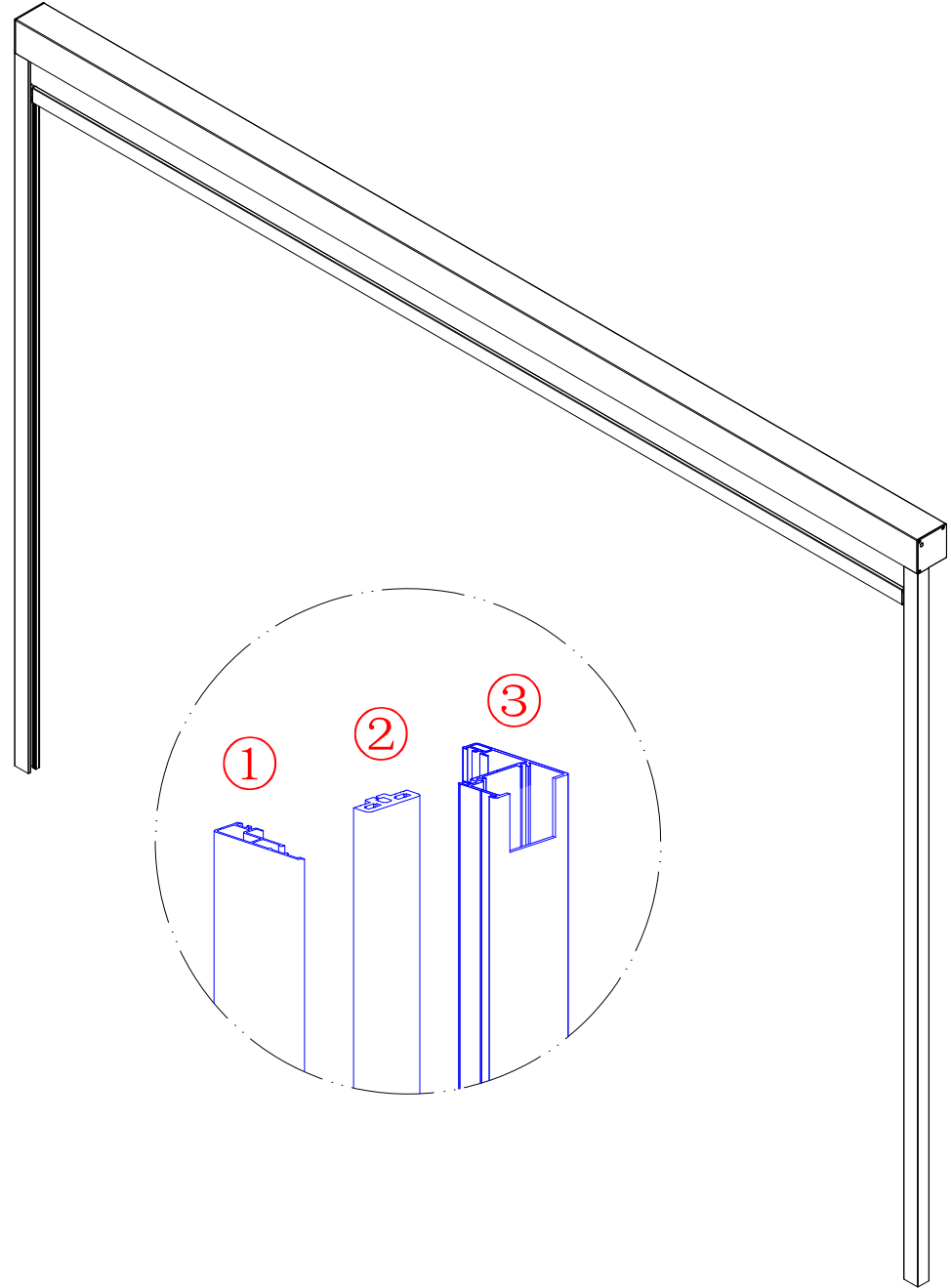
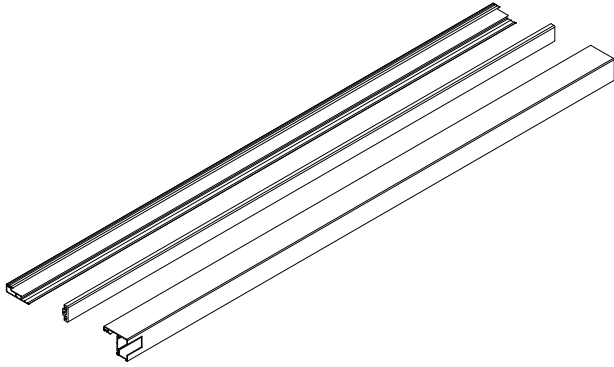
Electric Ziptrack Blind

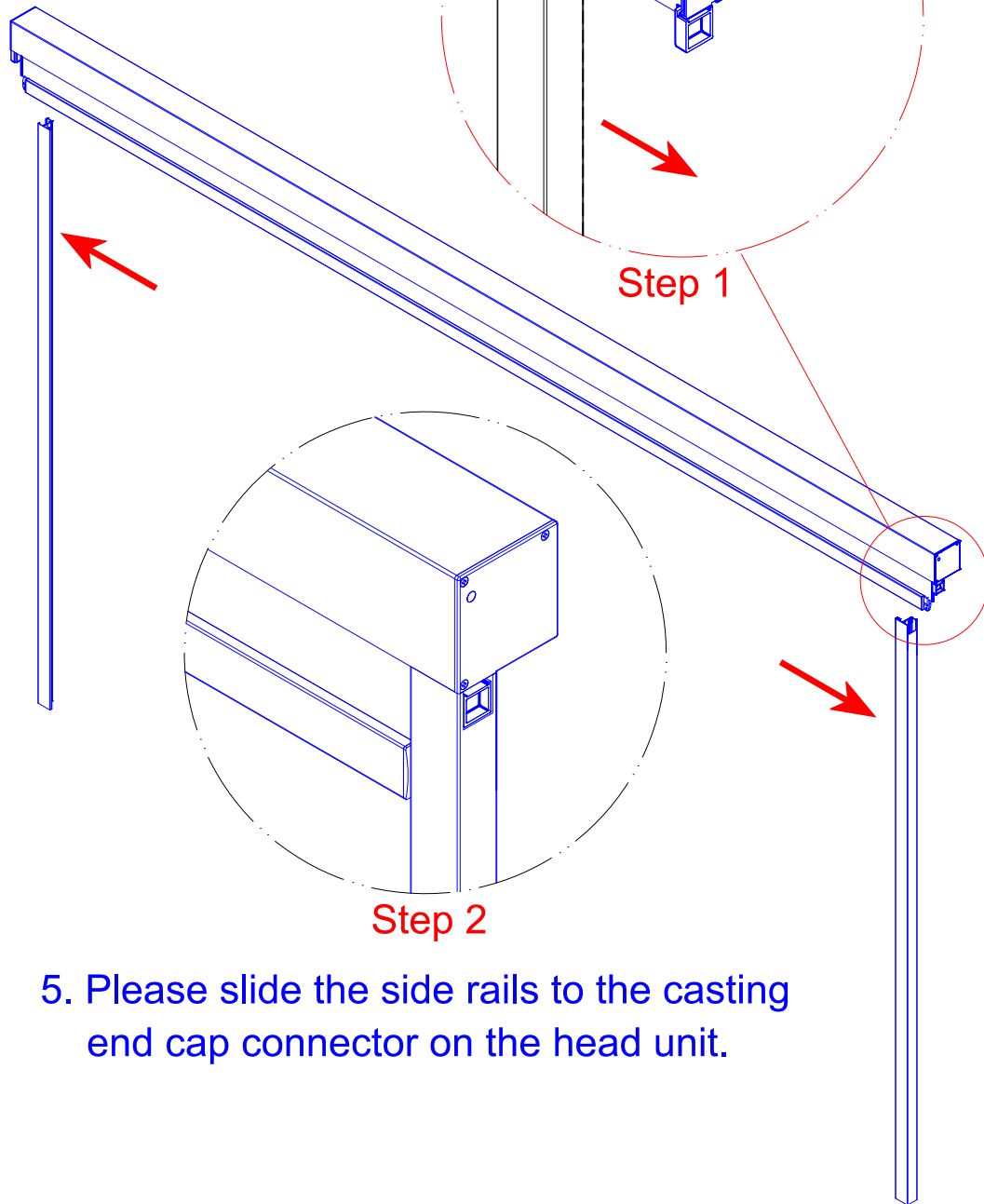


1. When standing underneath inside the pergola facing the opening to be installed with ziptrack blinds, the bracket engraved with "L" should be fixed against the post on the left-hand side and the bracket engraved with "R" should be fixed against the post on the right-hand side.
2. Make sure there is no gap between the top edge of the bracket and the underside of the pergola beam. The end of larger bended edge of the brackets should flush with the beam before screw fixing the brackets.

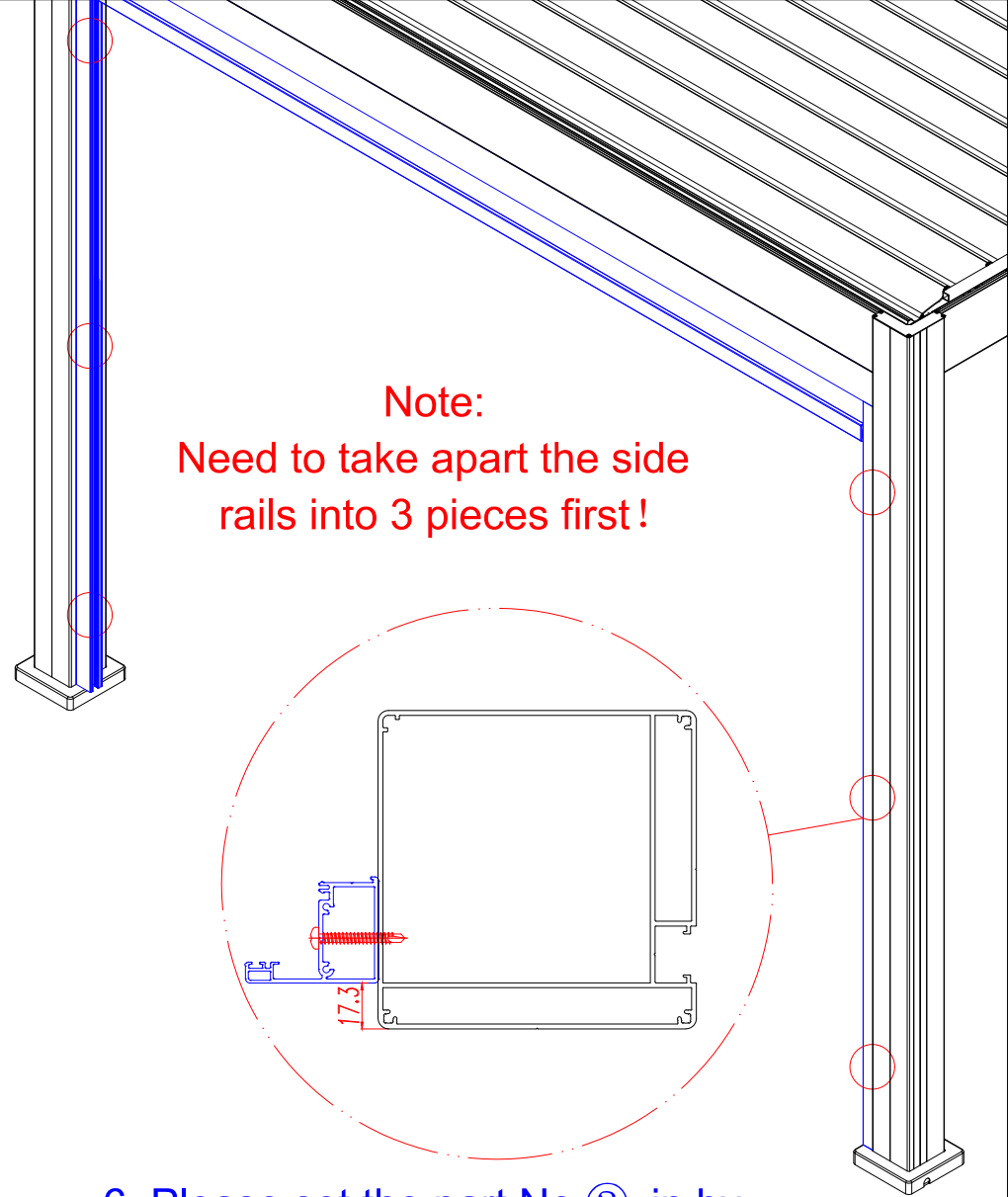


4 Take apart the pre-assembled side rails into 3 pieces ①-②-③ and you can slide out the part No.① easily by hand.



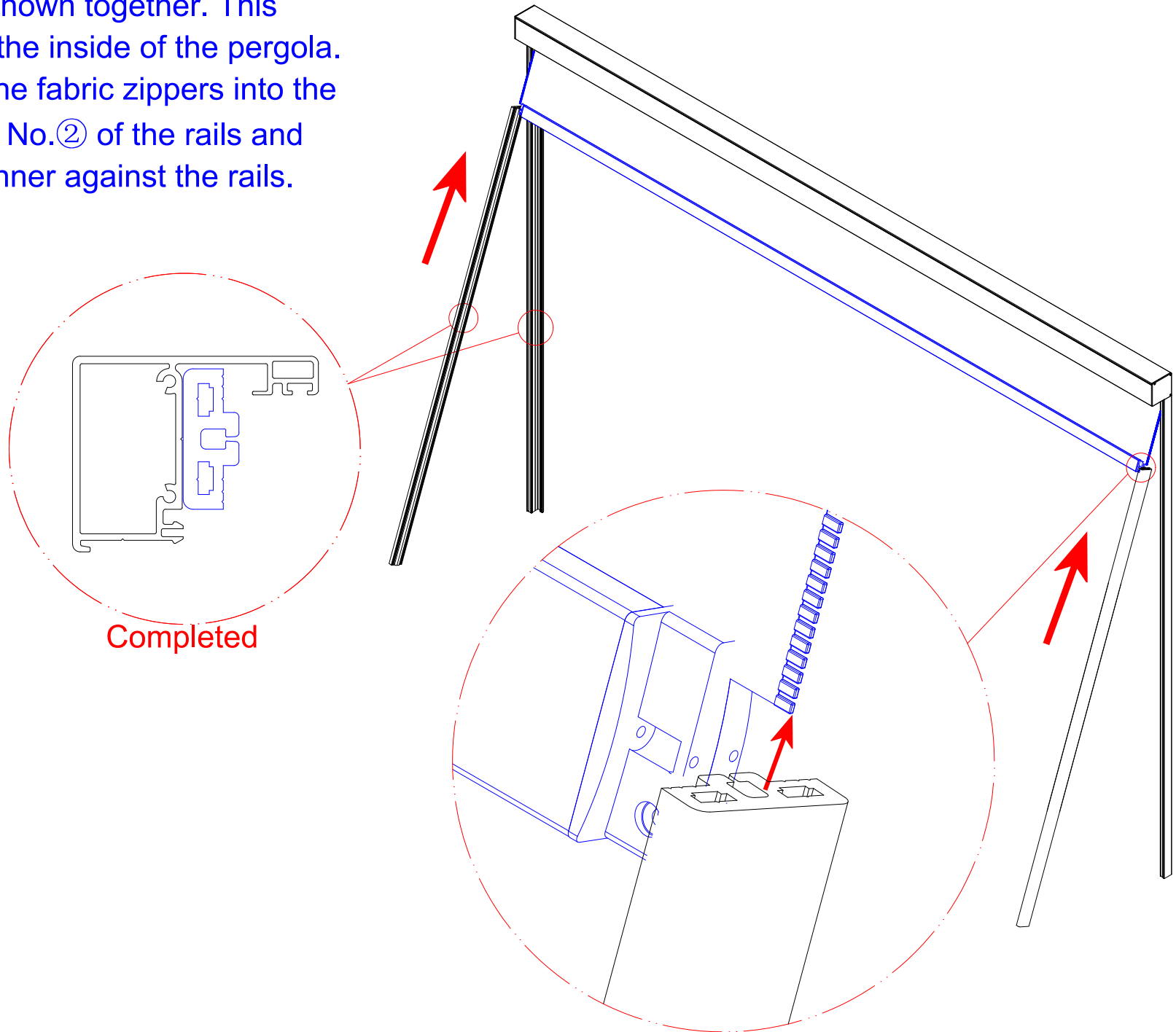


5. Please slide the side rails to the casting end cap connector on the head unit.



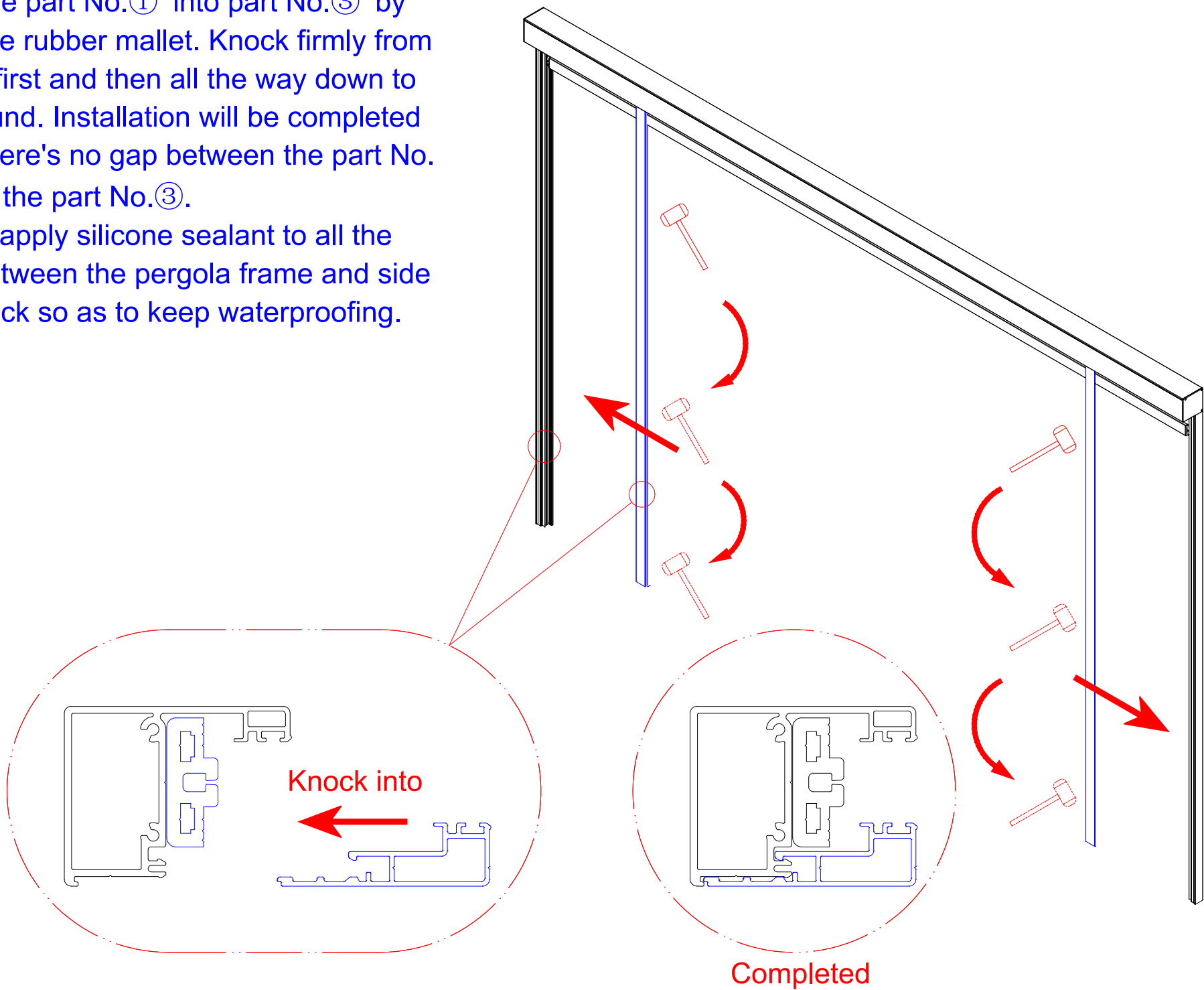
6. Please set the part No.③ in by 20mm from outside the post and then fix the side track with 3 screws from top, middle and bottom position.

7. In order to show the side blinds in details, pergola won't be shown together. This sight view is from the inside of the pergola.
8. As shown, insert the fabric zippers into the plastic runner part No. ② of the rails and lean the plastic runner against the rails.



9. Clip in the part No.① into part No.③ by using the rubber mallet. Knock firmly from the top first and then all the way down to the ground. Installation will be completed when there's no gap between the part No. ① and the part No.③.

10. Please apply silicone sealant to all the gaps between the pergola frame and side blind track so as to keep waterproofing.



Code Deleting

- (1) Press the "STOP" button for 5 seconds, the motor moves up and down slightly for 1 time to enter the code pairing state.
 - (2) Within 10 seconds, long press the button on the backside of remote control until the motor moves up and down slightly twice, which means the code deletion is successful.
- Note: This operation deletes the remote channels and limit points. All the limits need to be reset after deletion.

Code Pairing

- Note: Get the power off and wait for 30 seconds.
- (1) Long press the remote control "UP" button and get the power on at the same time. The motor moves up and down slightly for 1 time and enter the code pairing state.
 - (2) Press the remote "UP" button, the motor moves up and down slightly for 1 time, indicating that the code pairing is successful.
 - (3) After the code pairing is completed, press the "UP" button 1 time and DO NOT press the "STOP" button.

Direction Swapping

- (1) Press the "STOP" button for 5 seconds, the motor moves up and down slightly for 1 time and enter the code pairing state.
- (2) Press the remote control "DOWN" button 1 time, the motor moves up and down slightly for 1 time, it means the direction swapping is successful.

"Up Limit Setting" for Blinds

- (1) Press the "Back" button of the remote control 1 time, the motor moves up and down slightly for 1 time.
- (2) Then press the "UP" button to the desired position, press the "Back" button of the remote control 1 time.
- (3) The motor moves up and down slightly for 1 time, which means that the UP limit position setting is completed.

"Down Limit Setting" for Blinds

(1) Press the "Back" button of the remote control 1 time, the motor moves up and down slightly once.

(2) Then press the "DOWN" button to the desired position, press the "Back" button of the remote control 1 time.

(3) The motor moves up and down slightly once, which means that the DOWN limit position setting is completed.

