

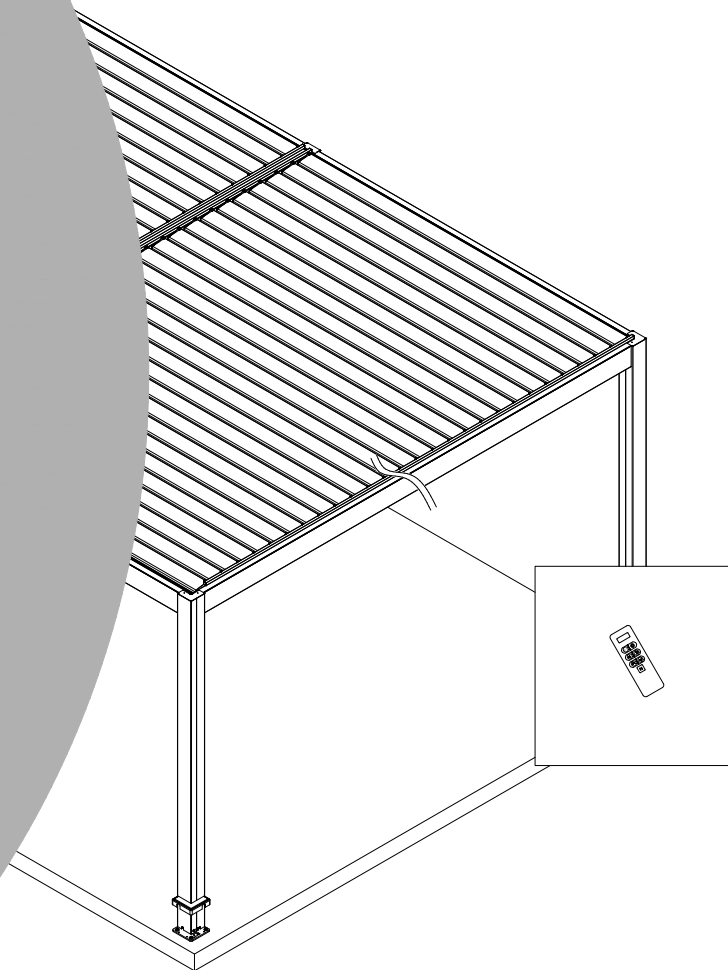
OWNER'S MANUAL

Assembly Instruction Manual for Freestanding
Pergola in General Version



Pergola

Operation: Motorized
Size: 600x400 CM



Please read this manual before installing your
pergola for the first time.
Please keep this manual for future reference.

Safety Warning

- Installation requires a minimum of three people: one for measurement and marking, one for installation and one as an assistant
- Only concrete floor fasteners are provided. In the case where there is no concrete slab on the ground, it is recommended to make concrete slabs at each column. The concrete slab should be a minimum of 500x500x500mm.
- After the Pergola frame is assembled, use a square, level and ruler to measure the product level and diagonal to ensure the size of the pergola.
- Power tools are required: make sure they work properly and follow the safety instructions.
- Be careful when using sharp tools.
- Wear protective clothing including safety glasses, helmets and gloves.
- Don't climb or stand on the roof.

Safety Warning

- It is highly recommended to wear gloves for assembly.
- Do not install pergola during bad weather conditions, such as wind or rain.
- Do not touch any wires with aluminum profiles.
- Always wear protective shoes and glasses when installing pergola. Keep all plastic bags out of the reach of children.
- The pergola column must be positioned and fixed on a flat surface.
- Do not lean on the column during the assembly phase.
- Do not let children approach the scene during the assembly phase.
- Don't be near pergola in a storm or typhoon.
- Do not try to climb pergola under the influence of alcohol or drugs.
- When using ladders or similar tools and power tools during the assembly phase, be sure to follow the manufacturer's safety recommendations.
- Any hot tool, such as an electric drill, cannot be in contact with the pergola profile.
- Make sure there are no cables or other cables hidden underground before positioning the column.

General Advice

- This pergola has several components and it takes at least 90 minutes to assemble. The pergola should not be positioned under a tree.
- If you connect the column directly to cement or a similar base, use the pre-punched holes on the supplied base.
- Check the number of profiles and fittings before assembly and use them according to the list of profile fittings for easy assembly.
- Put small pieces such as screws into a container to avoid loss.
- Please pay attention to the position of the transmission on the beam to avoid misplacement.
- Regularly clean leaves, snow or other objects off the pergola.

Maintenance and Repair

- To clean pergola, use a mild detergent and rinse with water.
- Do not use acetone or abrasive cleaning products to clean the surface of the aluminum profile.

Safety Warning

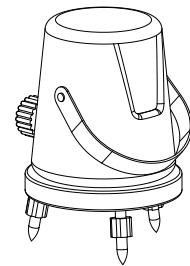
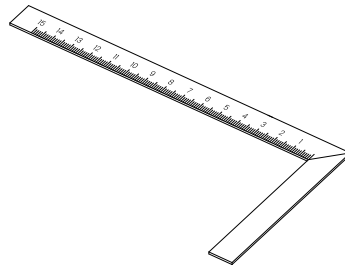
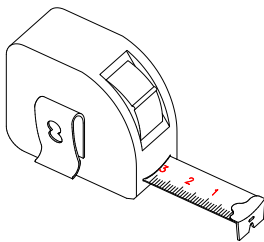
Protective Equipments:

1. Helmet
2. Gloves
3. Emergency first-aid kit
4. Protective glasses
5. Protective clothing



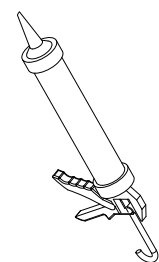
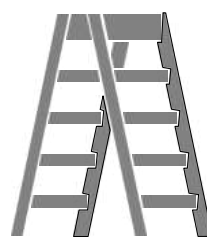
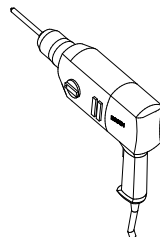
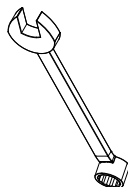
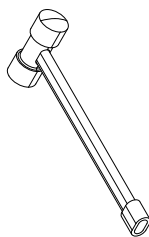
Measuring Instrument:

1. Tape measure (6 metres or more)
2. Square ruler
3. Laser level



Tools:

1. 2 metre ladder (1.5 metres or more)
2. 13, 15, 17 mm hex wrench, etc.
3. Electric drill
4. Electric drill bit (8, 10, 12 mm drill bit, etc.)
5. Marker or pencil
6. Rubber hammer
7. Silicon and glue gun

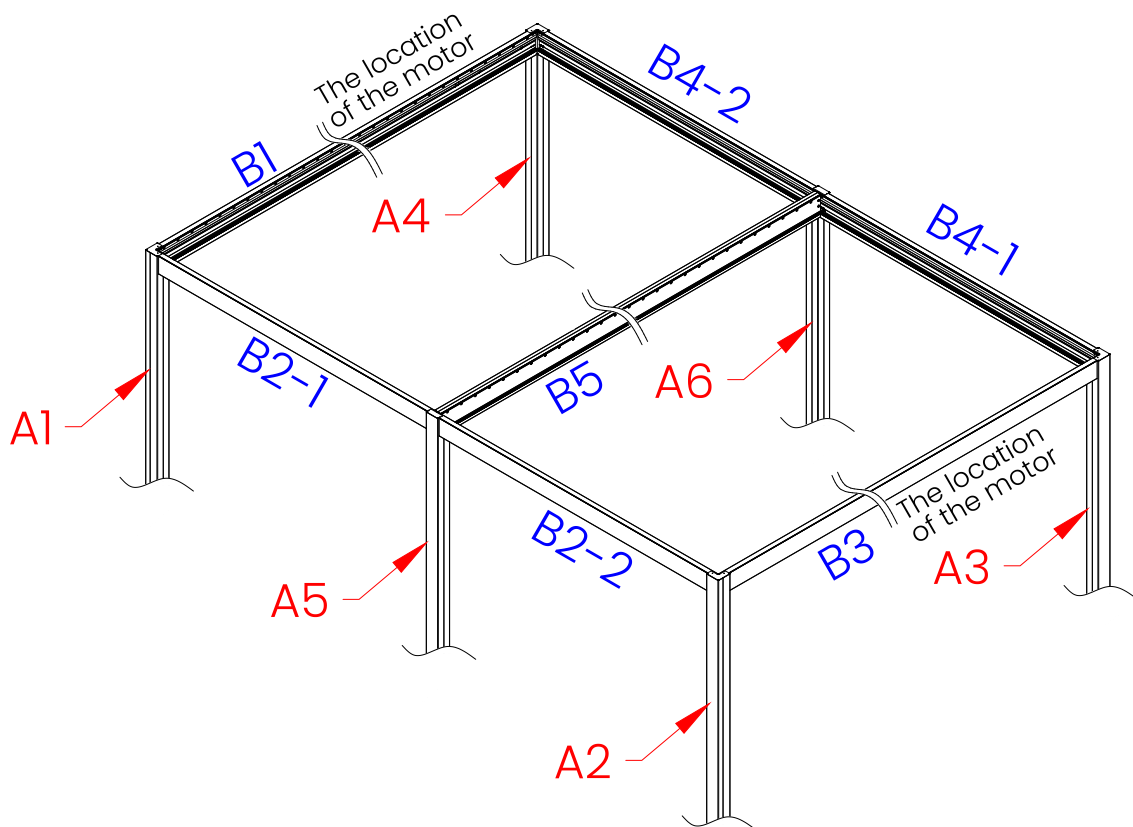


Safety Warning

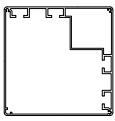
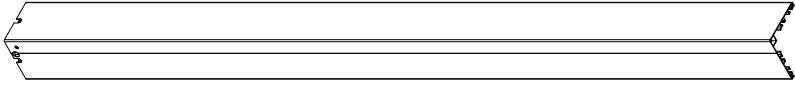
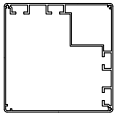
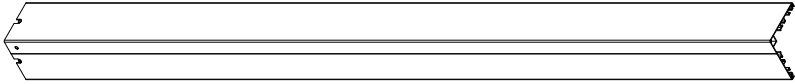
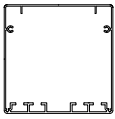
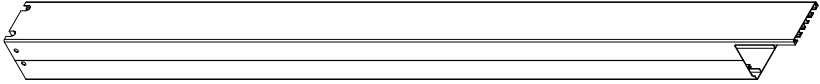
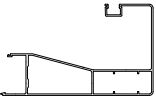
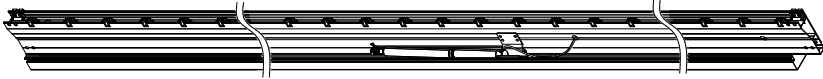
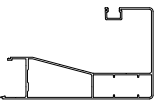

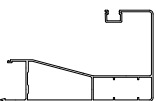

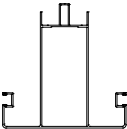


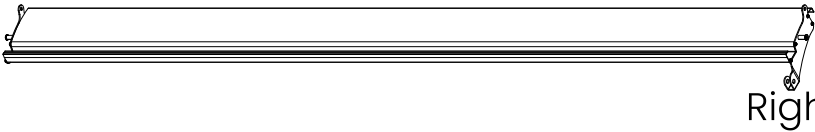

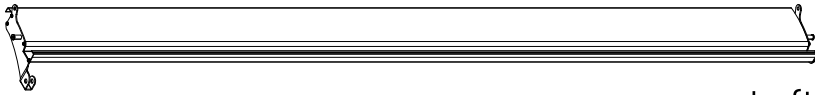


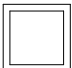
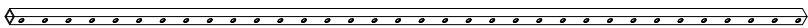


Installation Notes


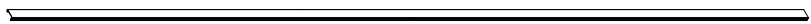
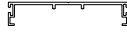
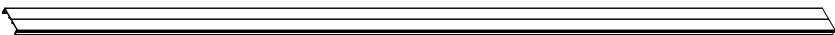
- To take the goods out of the carton, 3 people are required to lift them up, put them on the ground lightly, and keep the ground level and clean, better to put a layer of cloth on the floor to prevent the profile from scratching.
- The goods on the ground should not be dragged, and avoid collision with metal surfaces or other uneven walls.
- After setting up the whole set pergola and test the pergola well, then proceed to remove all the surface film.



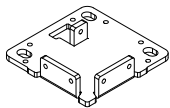
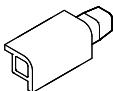
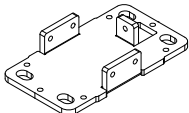
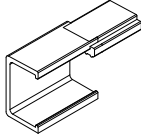
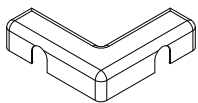
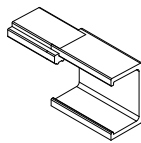
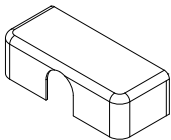
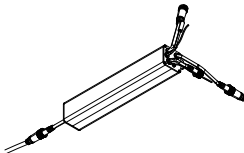
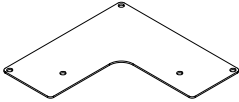
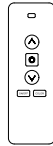
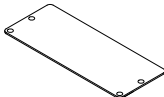
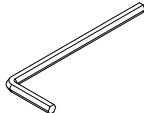
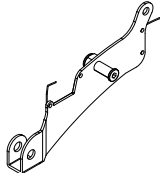
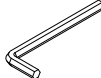
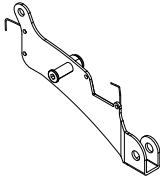
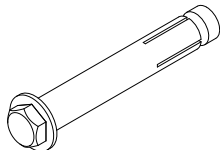
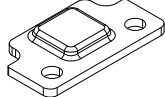
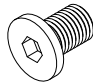
Accessories List

A1 ~ A2	 x 2	
A3 ~ A4	 x 2	
A5 ~ A6	 x 2	
B1 B3	 x 2	
B2-1 B4-1	 x 2	
B2-2 B4-2	 x 2	
B5	 x 1	
C1R	 x 1	 Right
C1L	 x 1	 Left
C2	 x 52	
D1	 x 4	

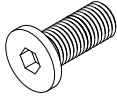

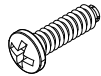
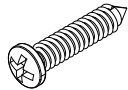
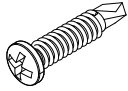
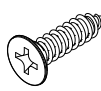

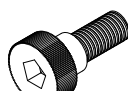
Accessories List

E1 ~ E4-2	 x 6	
E5	 x 1	

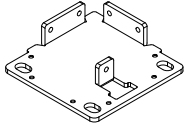
Accessories List

1-3	 x 4	6-1	 x 4
1-5	 x 2	6-2	 x 2
2-6	 x 4	6-3	 x 2
2-7	 x 4	7-3	 x 2
3-3	 x 4	8-4	 x 2
3-4	 x 2	15-1	 x 1
4-11	 x 1	15-2	 x 1
4-12	 x 1	16-1	 x 20
5-1	 x 108	17-1	 x 30

Accessories List

17-3	 x 4		
19-1	 x 34		
21-1	 x 216		
21-2	 x 4		
22-1	 x 2		
24-1	 x 16		
24-2	 x 10		
27-1	 x 108		

Please assemble the parts correctly as shown steps.



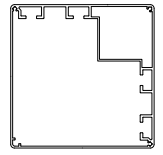
1-3



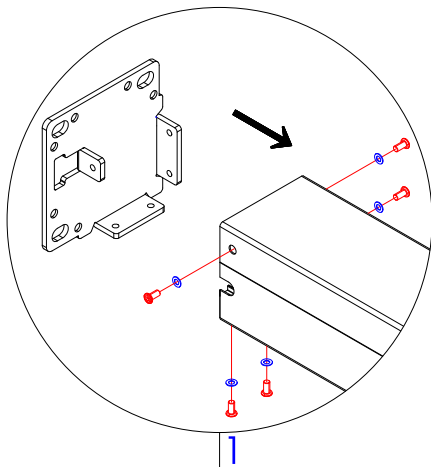
17-1



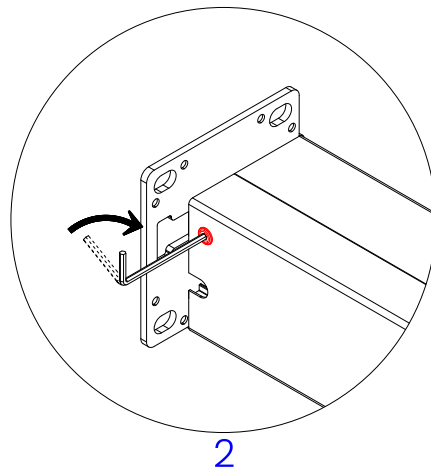
19-1



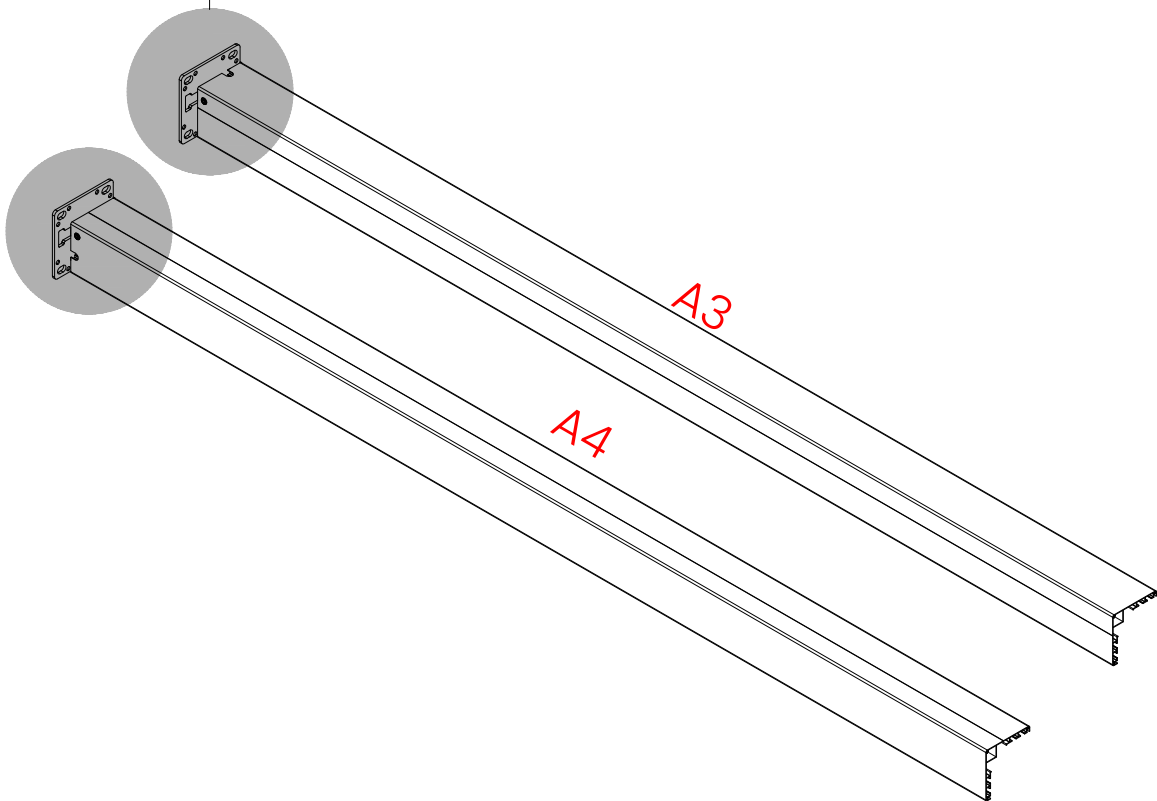
A3/A4



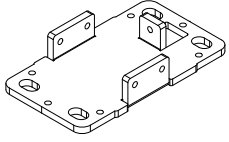
1



2



Please assemble the parts correctly as shown steps.



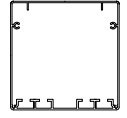
1-5



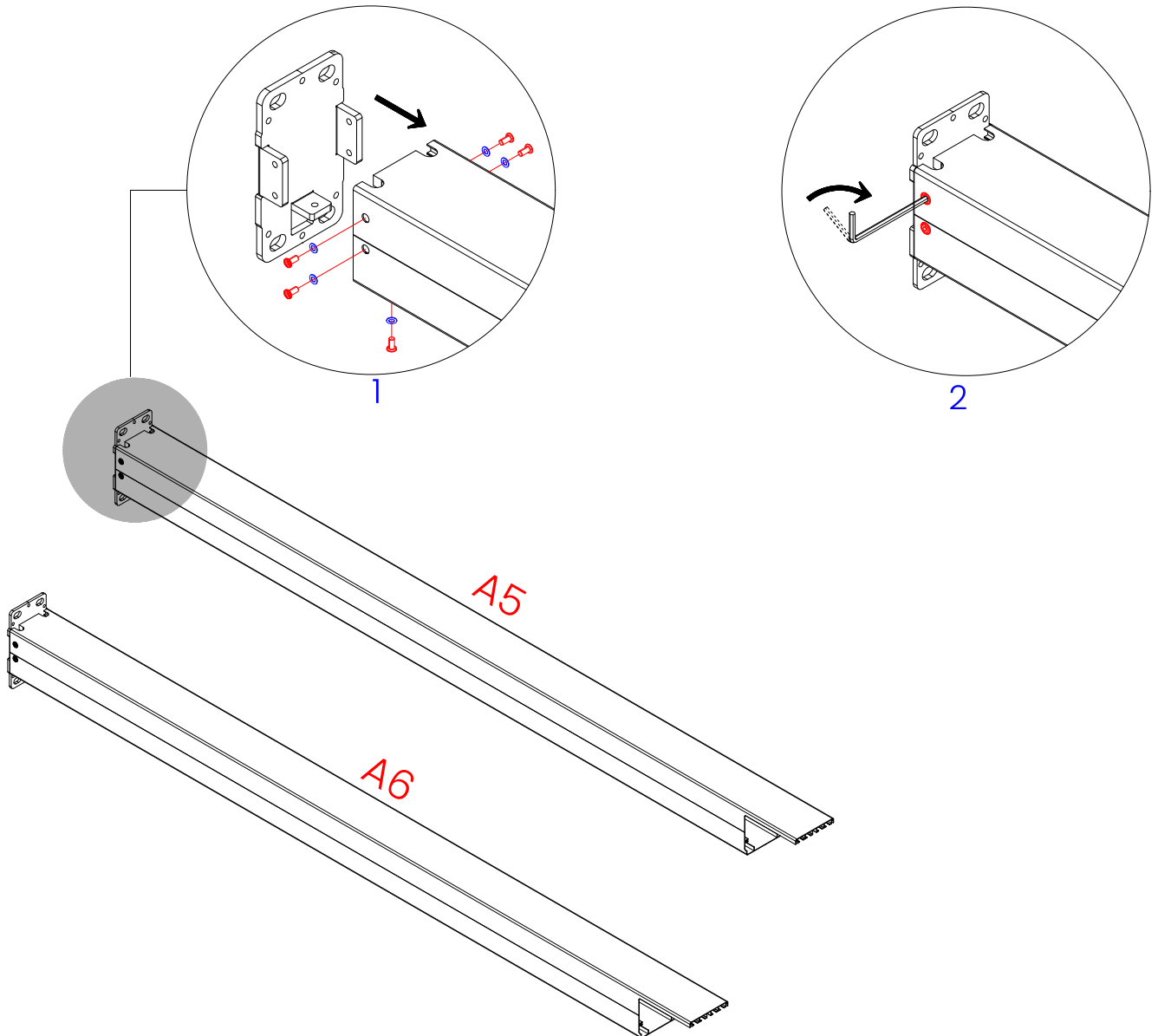
17-1



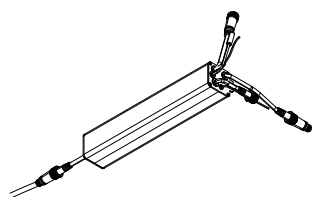
19-1



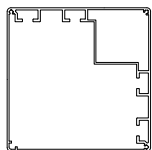
A5/A6



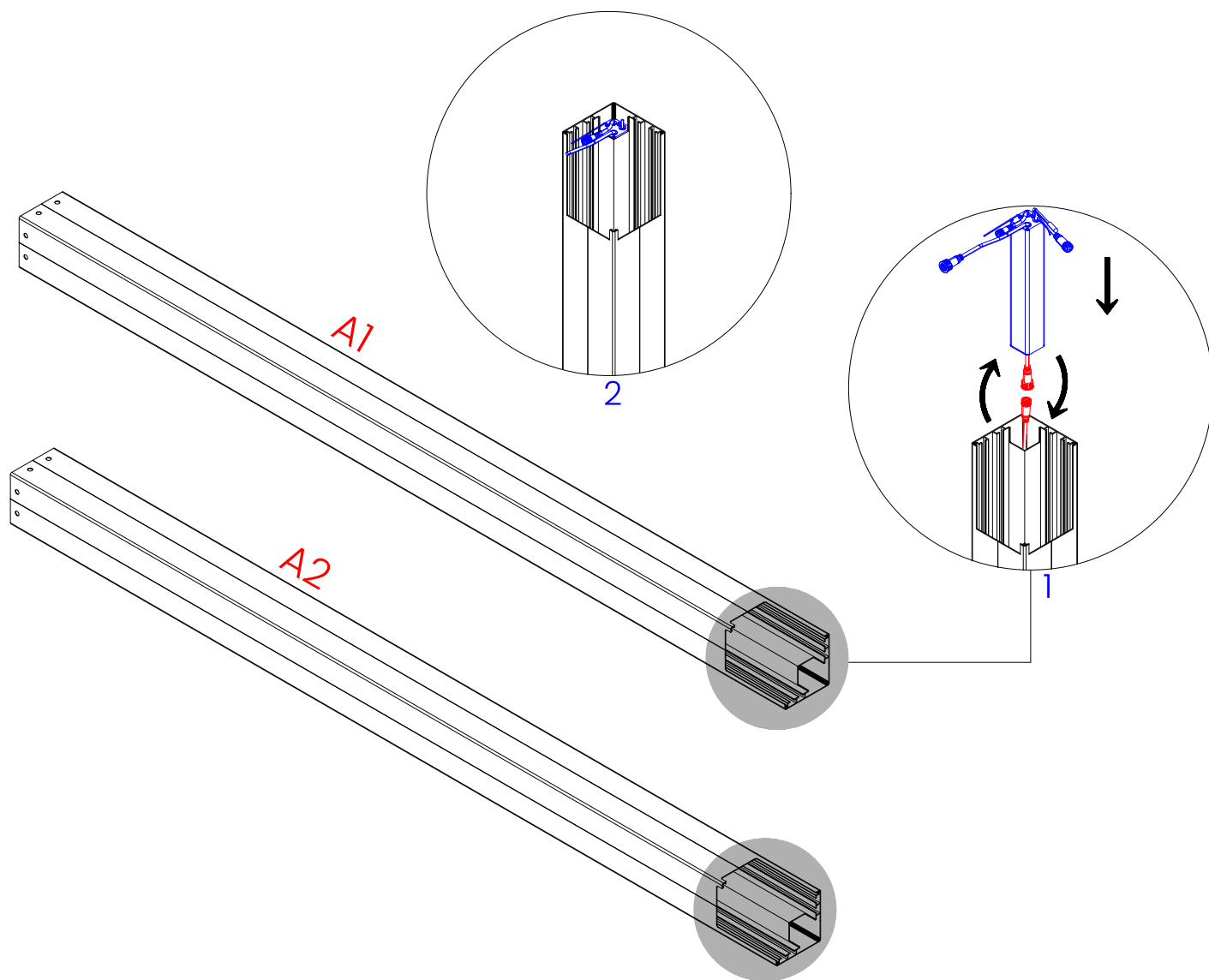
As shown in the figure, first of all, the power cord needs to be connected to "7 - 3", and then slide the power cord from the top of "A1" and "A2" into the curved cavity inside the Post.



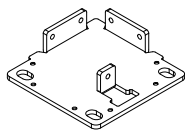
7-3



A1/A2



Following the last step, pull the cables out from the bottom of the post . Then align "1-3" with holes pre-drilled on "A1/A2". Fasten "1-3" to the post by using "17-1" and "19-1".



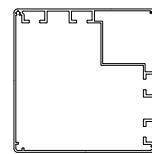
1-3



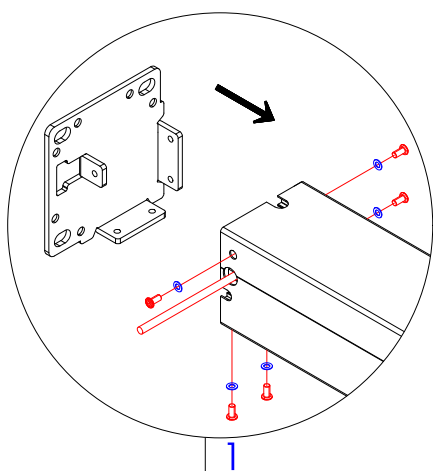
17-1



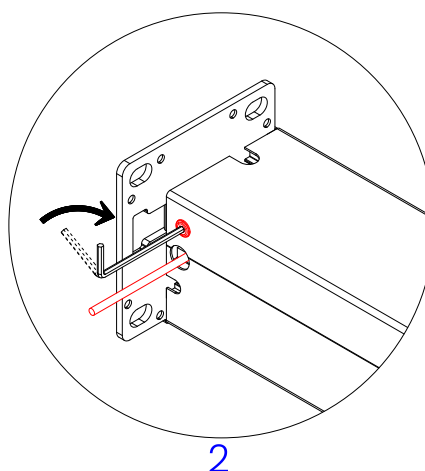
19-1



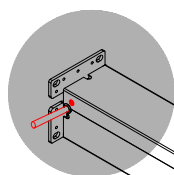
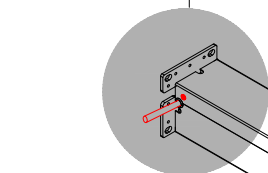
A1/A2



1



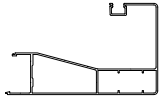
2



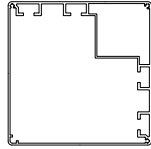
A1

A2

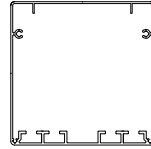
Please assemble the parts correctly as shown steps.



B2-1~B4-2



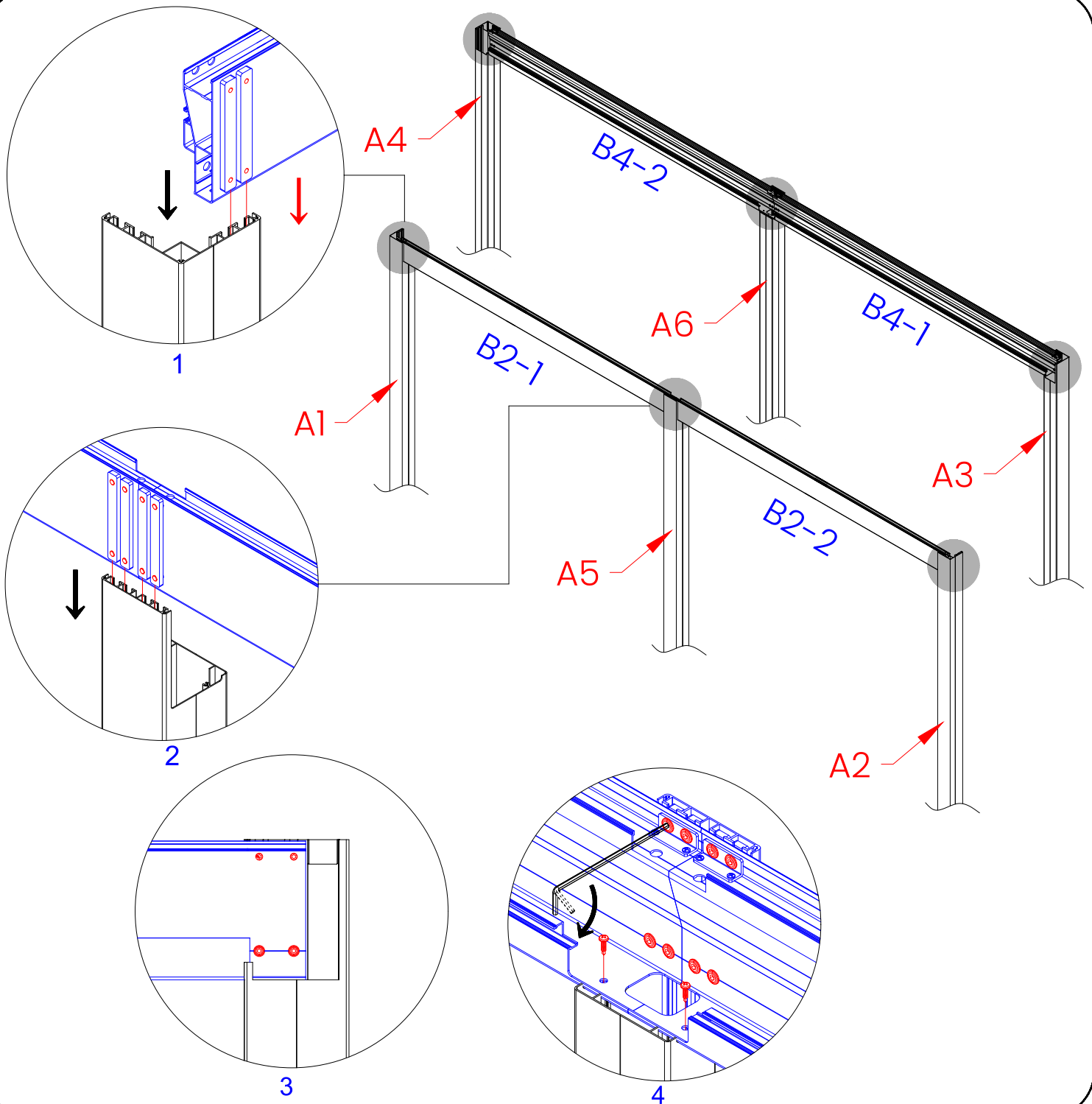
A1~A4



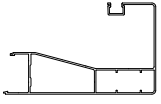
A5/A6



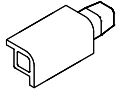
21-2



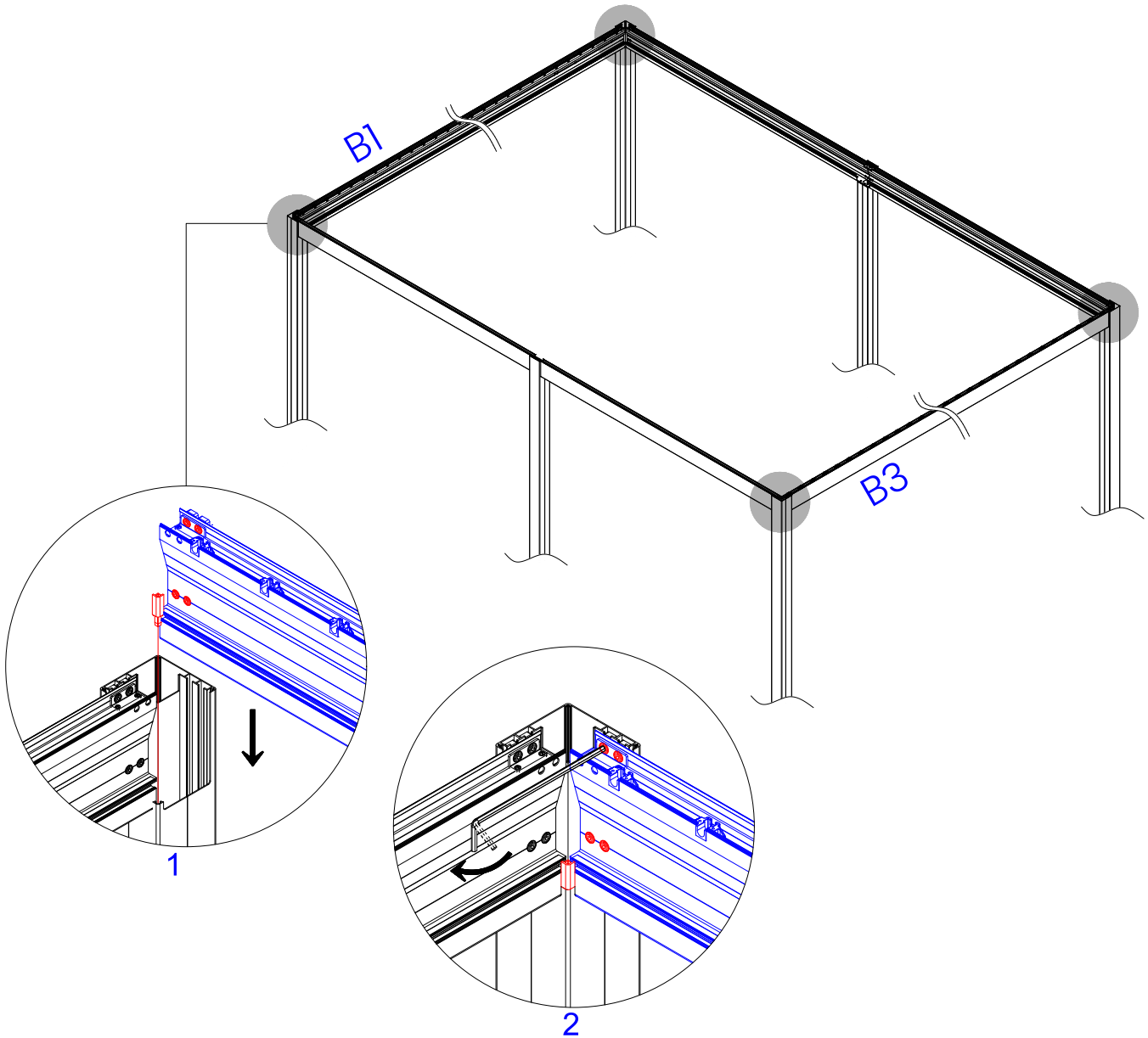
Please assemble the parts correctly as shown steps.



B1/B3

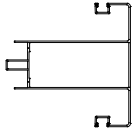


6-1



Please assemble the parts correctly as shown steps.

(There is a label "A" on one side of the B4-1 & B4-2 beam and on one side of the B5. Please install them together accordingly, ensuring that the labels align. Do not turn B5 around for installation.)



B5



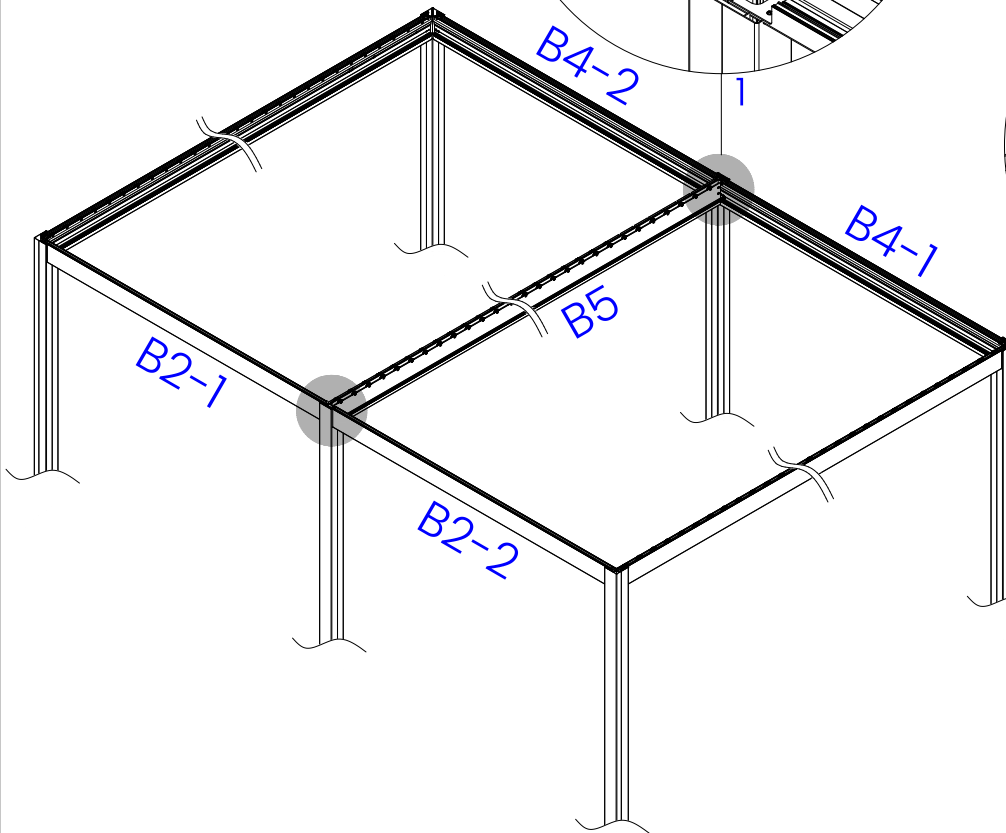
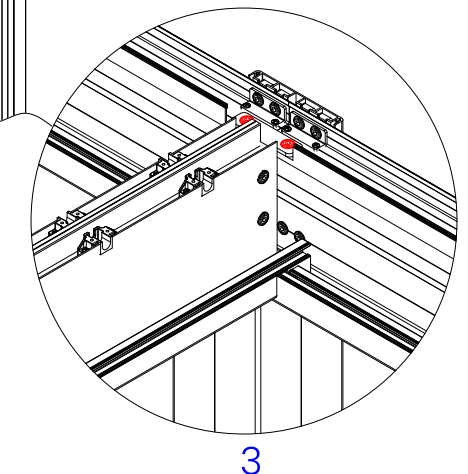
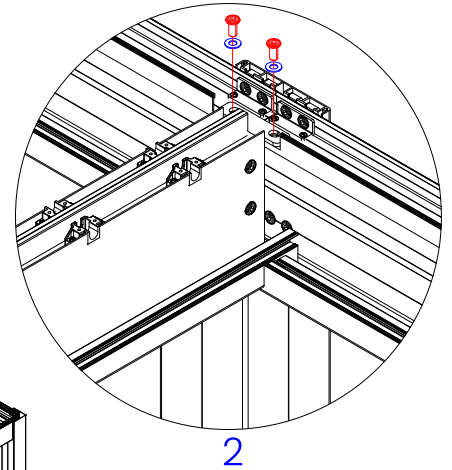
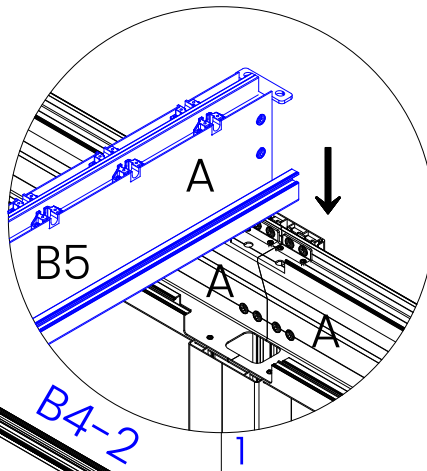
17-3



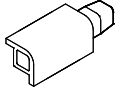
19-1



Have to tighten the screws all around.



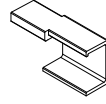
Snap "6-1" into the top inner corner of the upper post and snap "6-2 & 6-3" into the Beam.



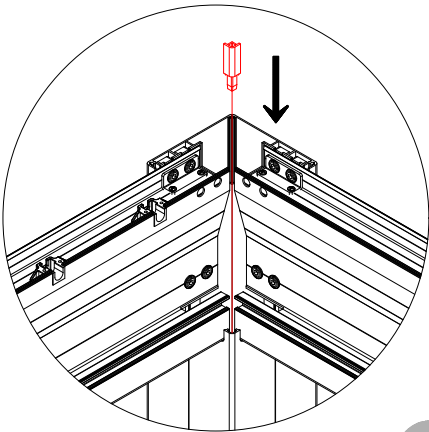
6-1



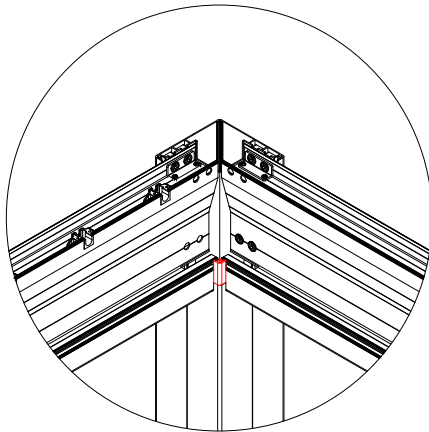
6-2



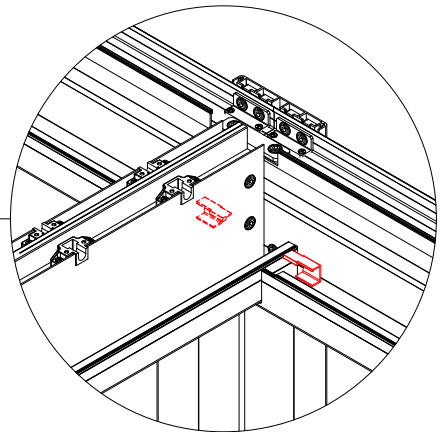
6-3



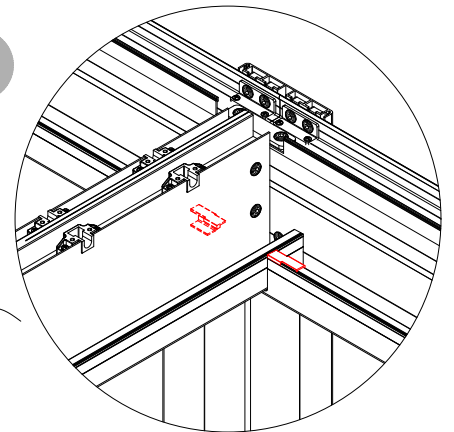
1



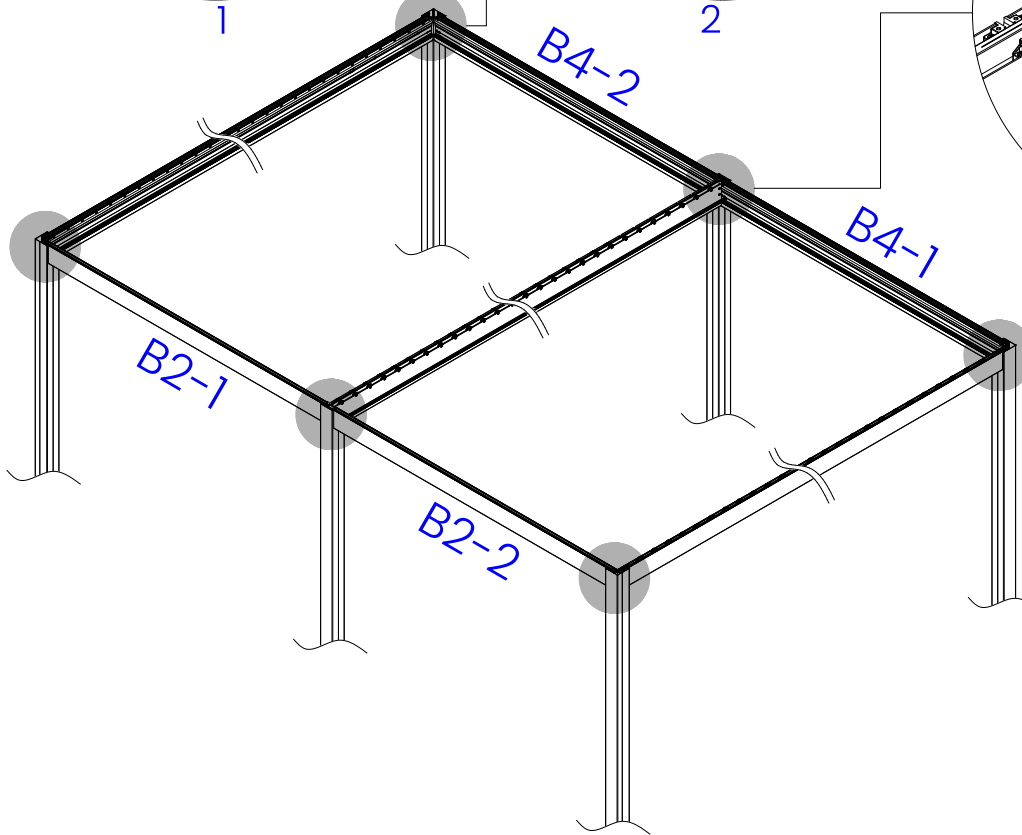
2



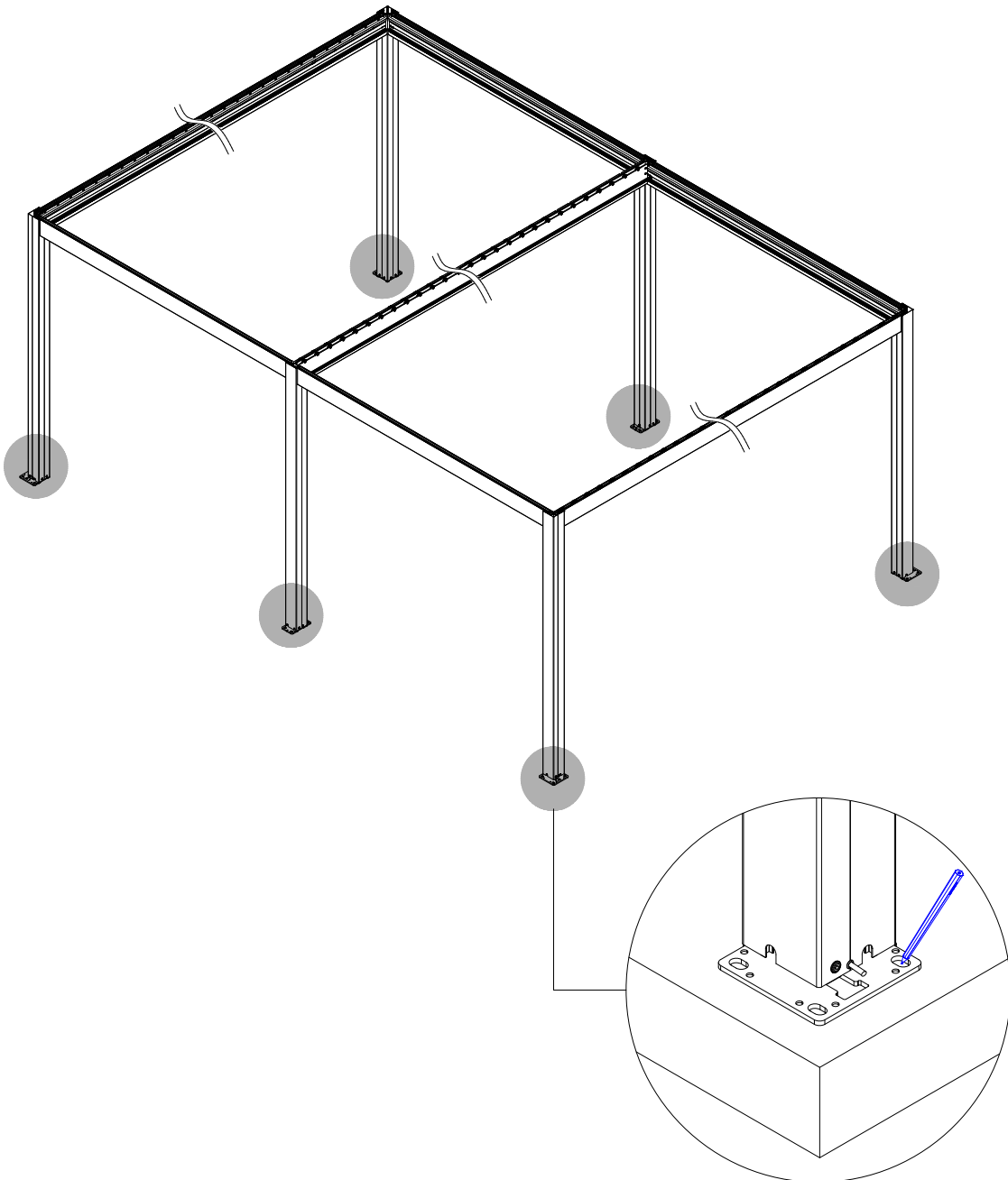
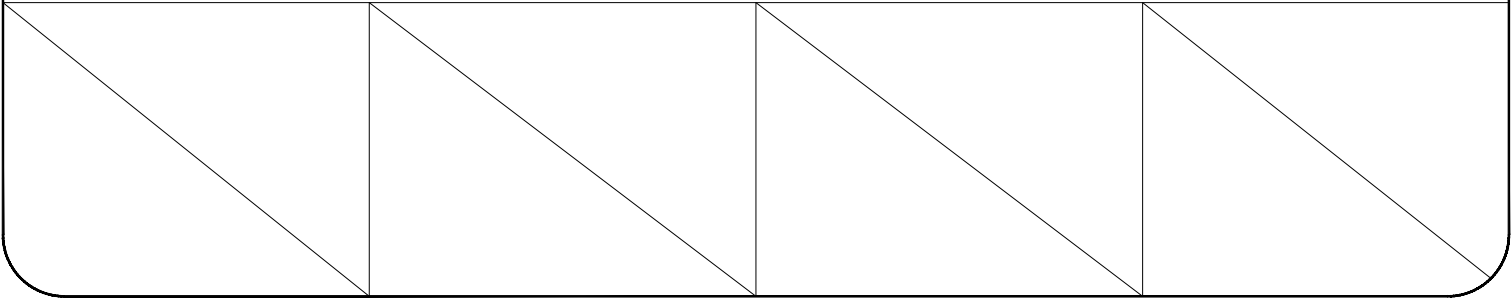
3



4

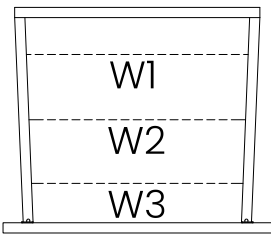


In the position where it will be installed, measure the frame with a laser level to ensure that the tolerance of the corresponding dimensions should be less than 5 mm (see next page for details). Then use a marker pen to mark the position of each hole in the base.

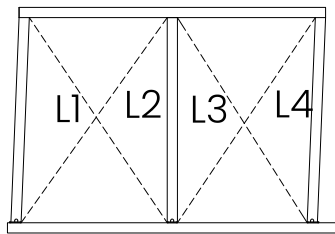




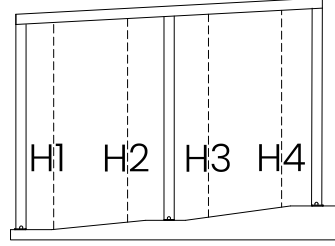
$W1 \neq W2 \neq W3$



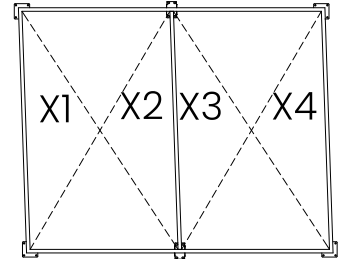
$L1 \neq L2 \neq L3 \neq L4$



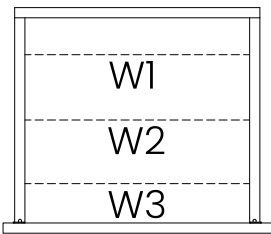
$H1 \neq H2 \neq H3 \neq H4$



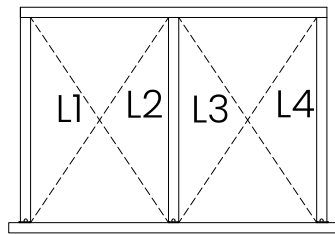
$X1 \neq X2 \neq X3 \neq X4$



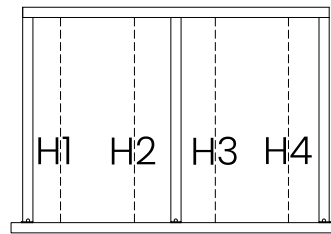
$W1 = W2 = W3$



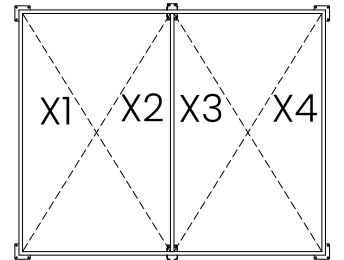
$L1 = L2 = L3 = L4$



$H1 = H2 = H3 = H4$

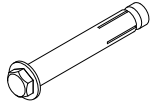


$X1 = X2 = X3 = X4$

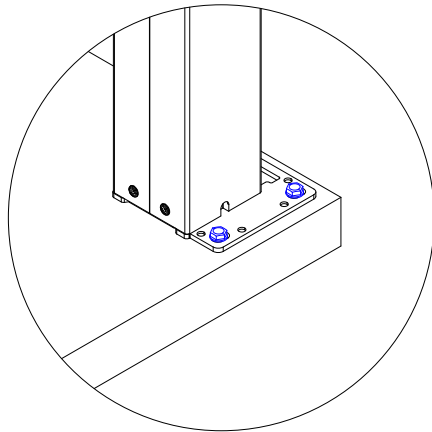


Step #1: If the floor is concrete, please use '16-1'. If not, you need to source the screws that suit to fasten the base plate.

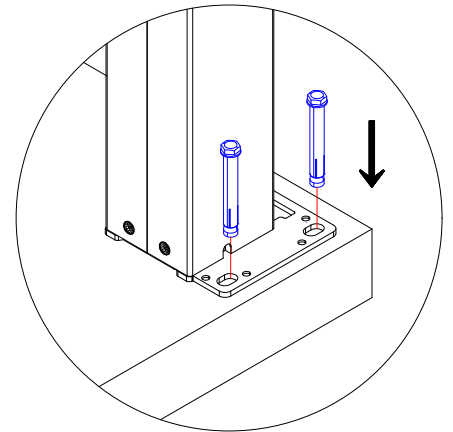
Step #2: Move the pergola aside and drill holes according to the marked positions. Then move the pergola back to its original position and fasten the base plate with '16-1'.



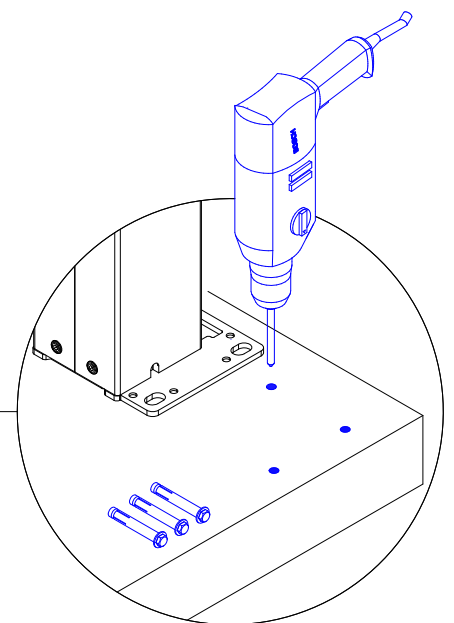
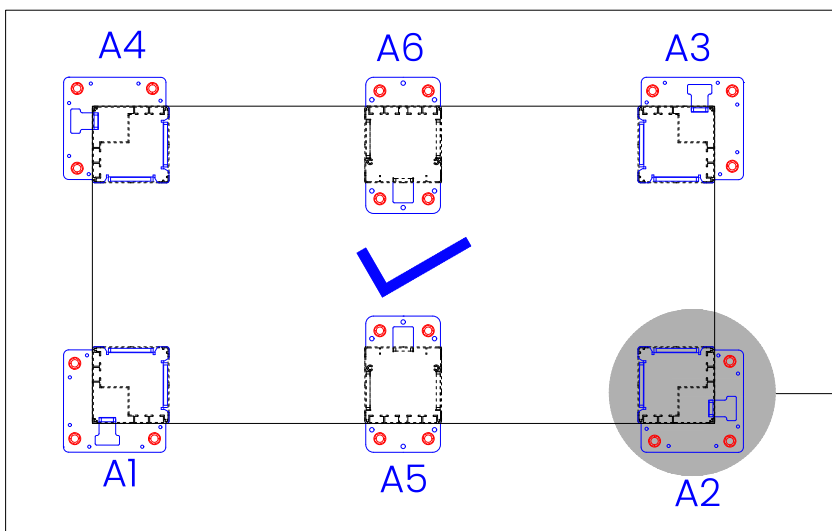
16-1



3



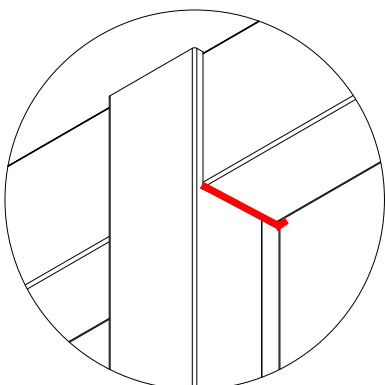
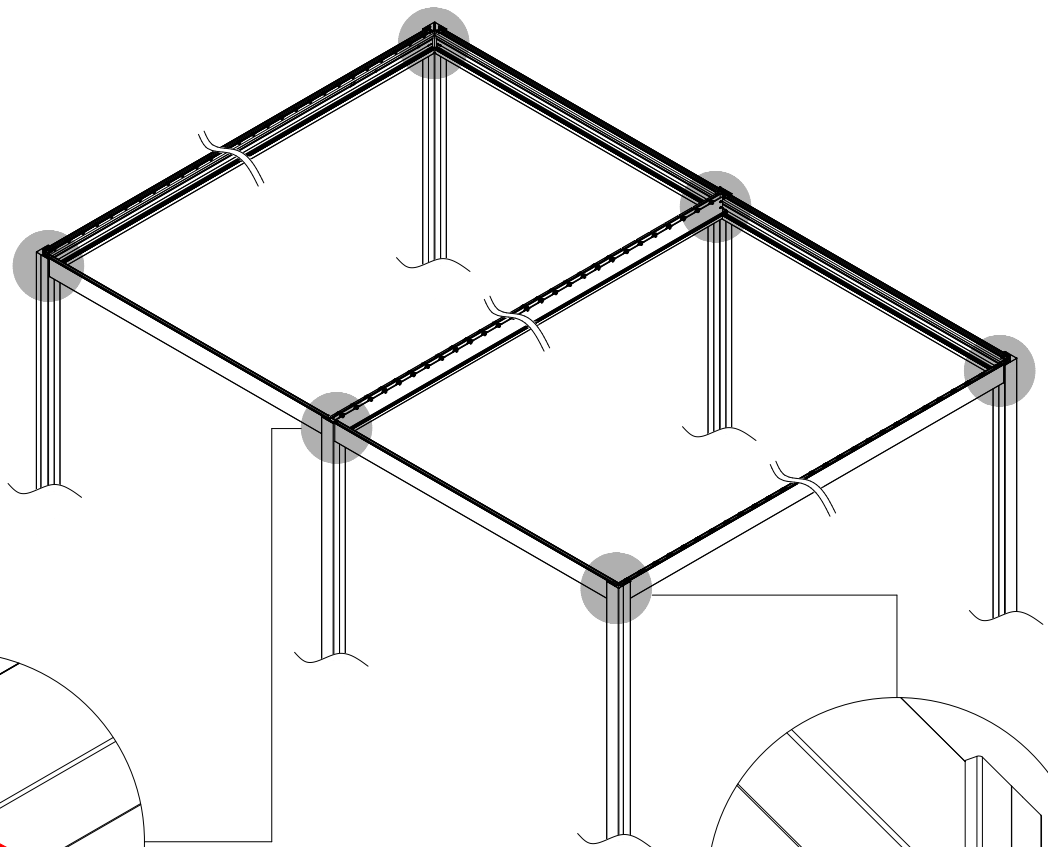
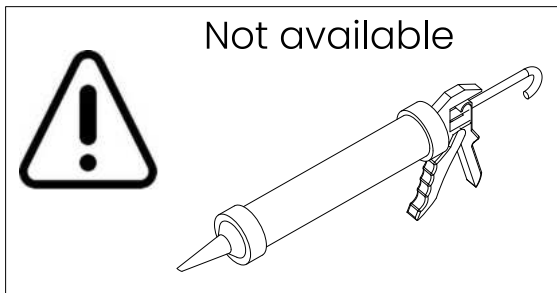
2



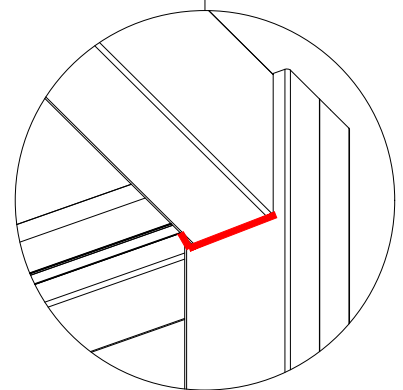
1



Silicone sealant is recommended to apply on where the beam end is sitting on the post.



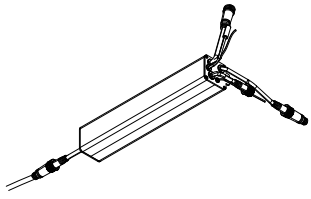
2



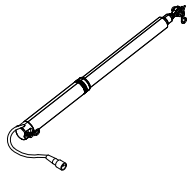
1

Bottom view

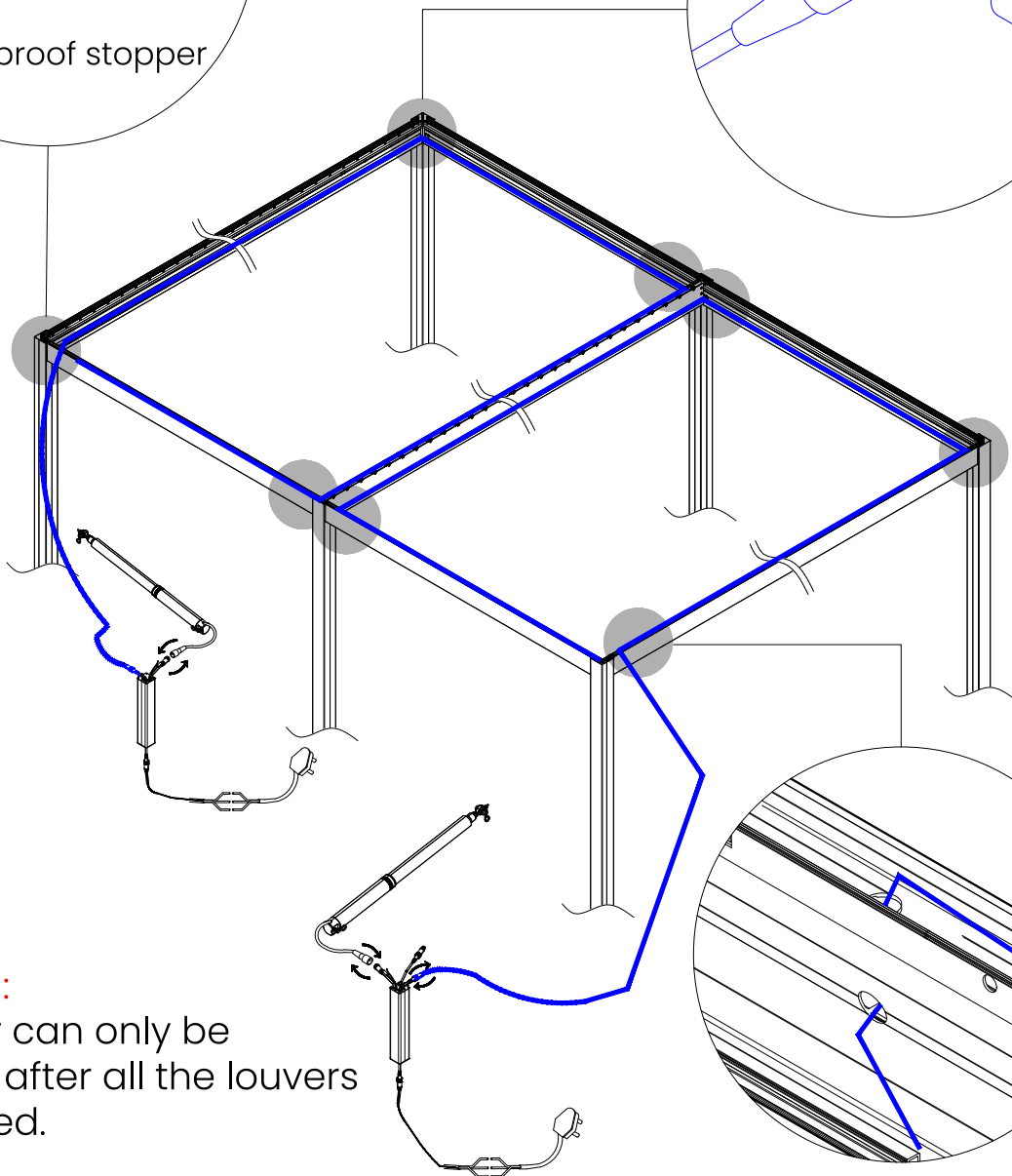
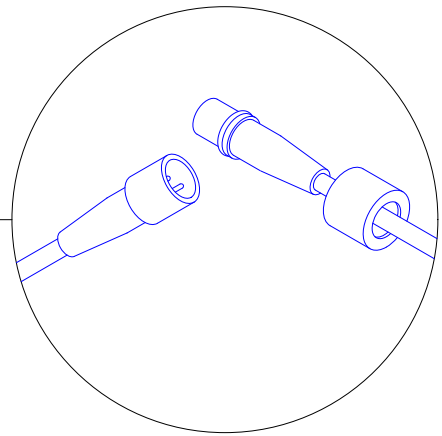
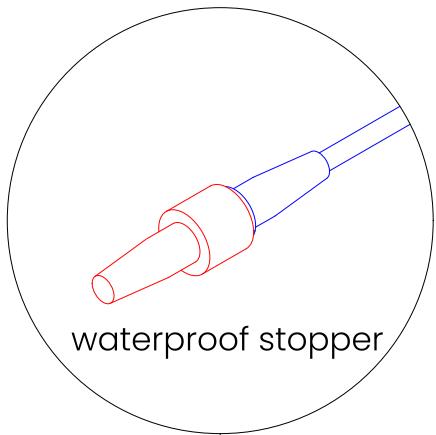
Connect the connectors of the motor on Beqm and the connector of the LED light wire to the connector on "7-3". (On this page, the RGB light strip or LED light strip is optional. If there is no light on the water tank, please ignore this page.)



7-3



Motor



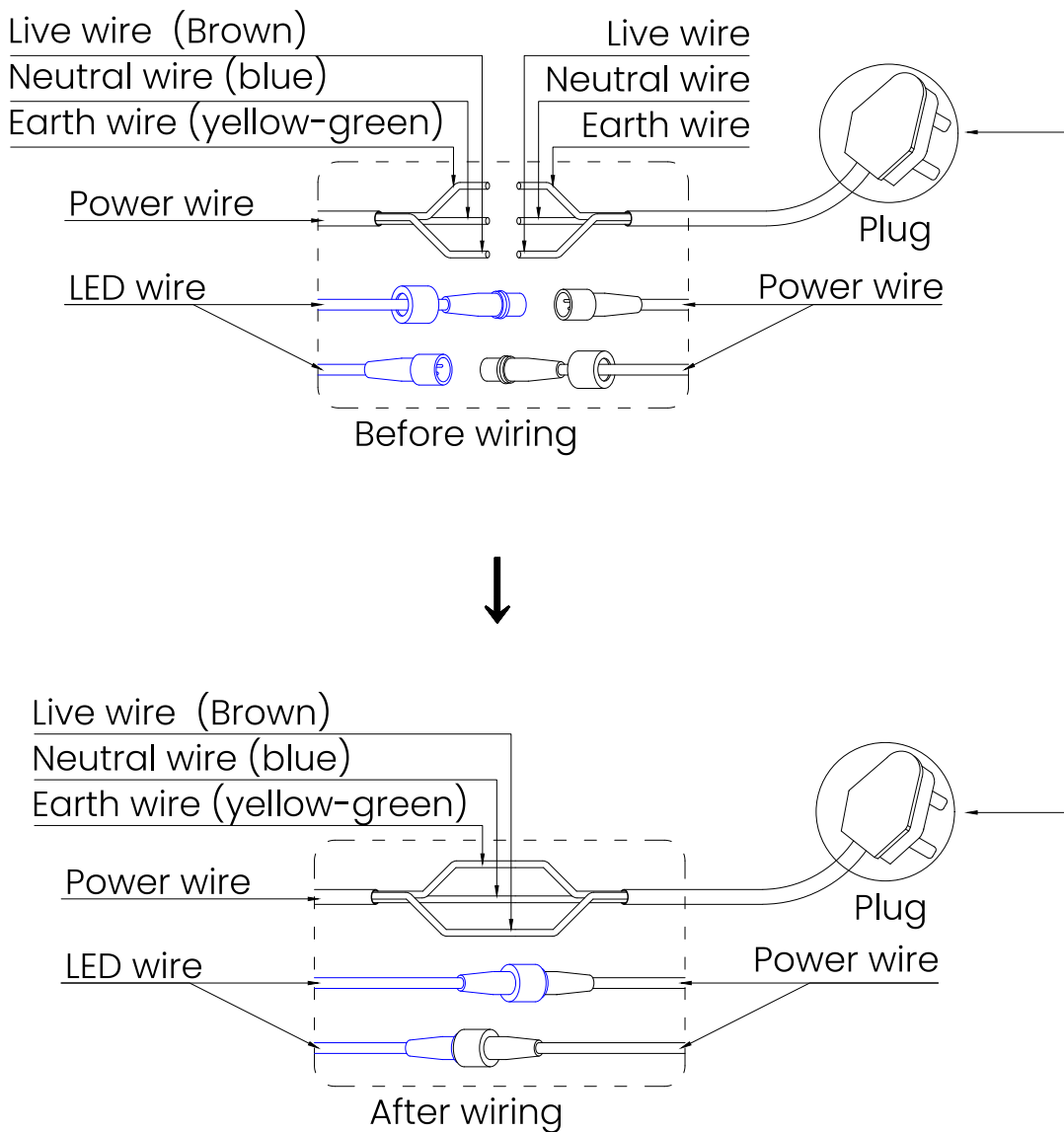
ATTENTION:


The motor can only be energized after all the louvers are installed.



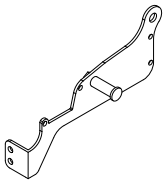
ATTENTION

Please follow the steps to connect the wire correctly, otherwise the motor will be faulty.

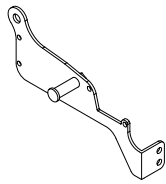


 The plug is not supplied

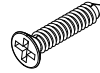
Please assemble the parts correctly as shown steps.



4-11



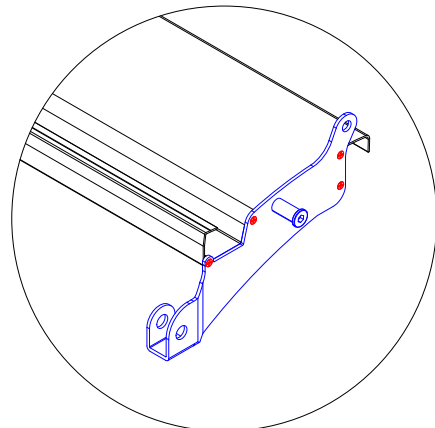
4-12



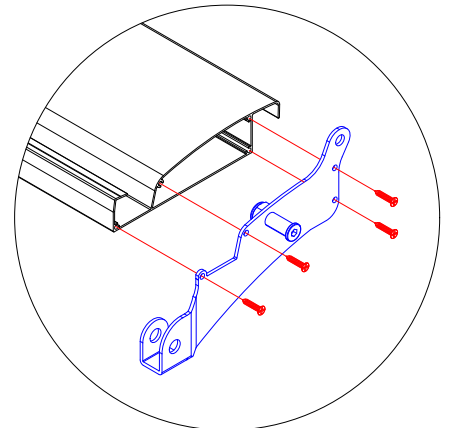
24-2



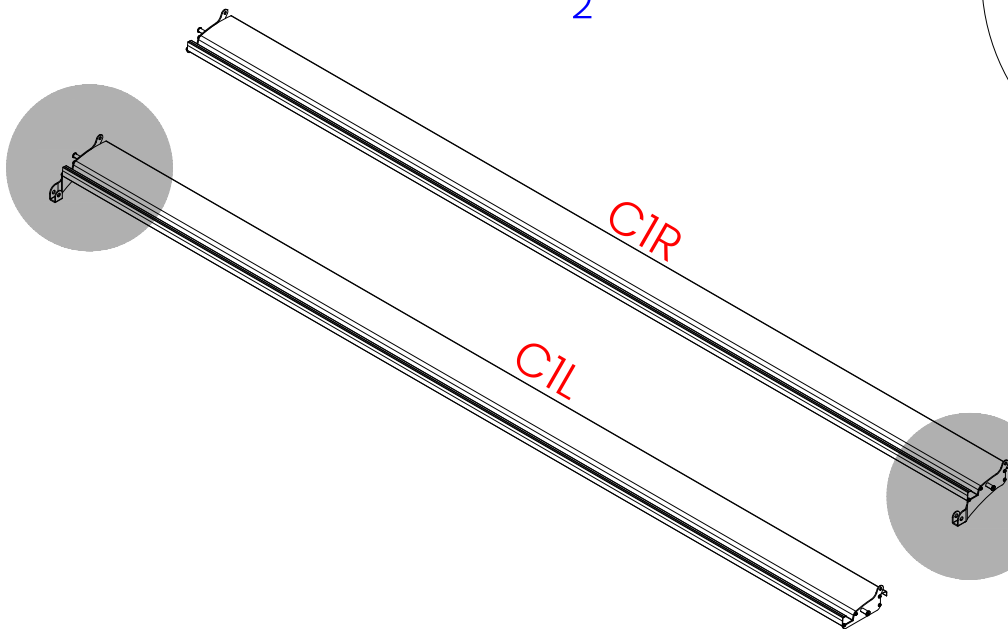
C1



2



1



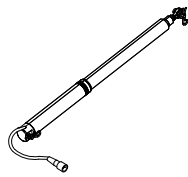
C1R

C1L

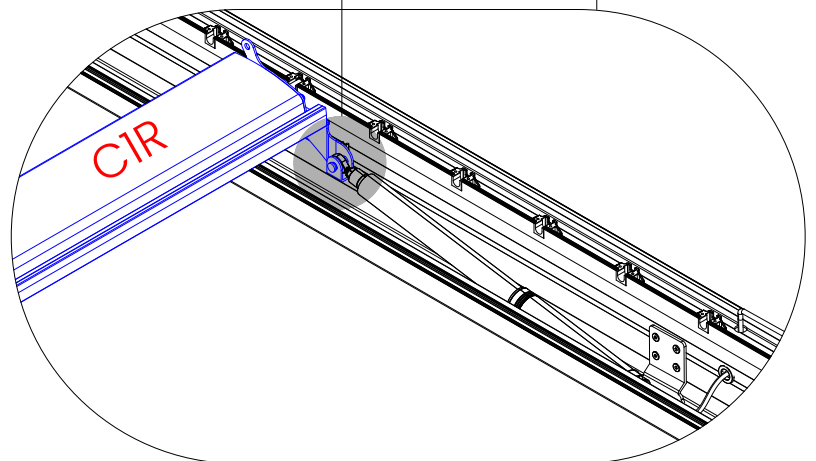
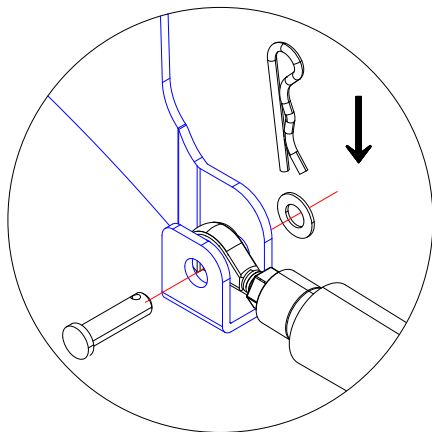
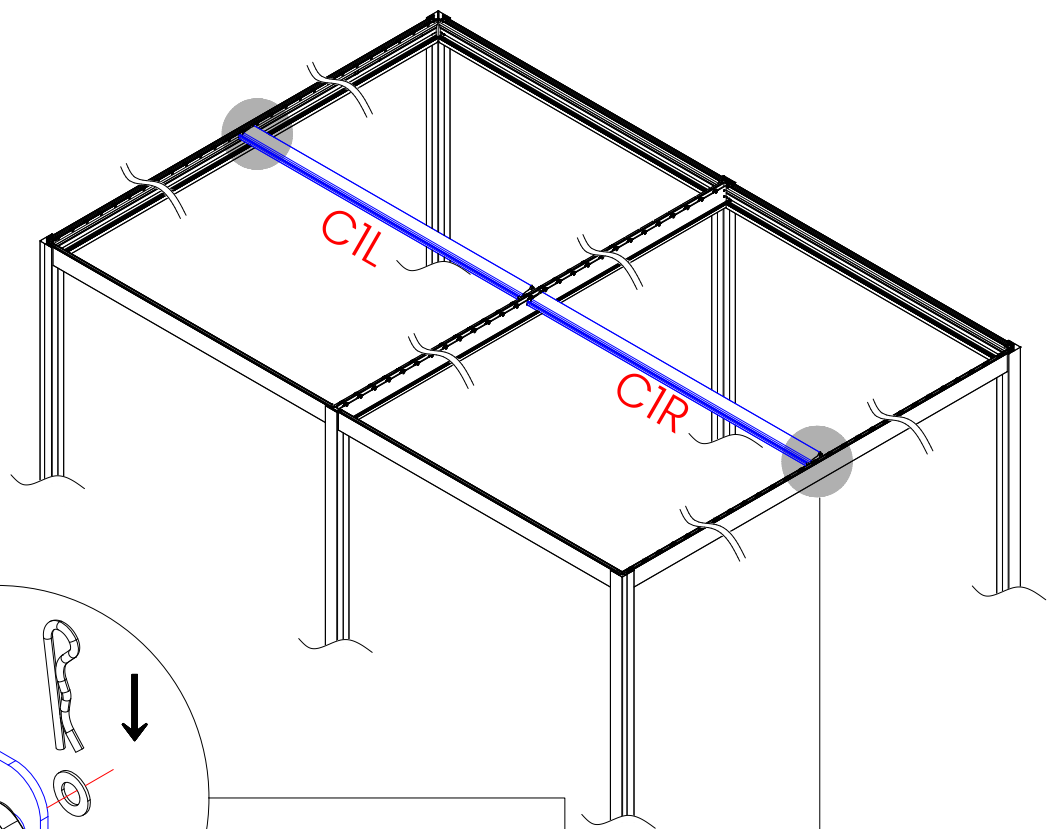
Place C1 in the correct position (for details, see the next page), and then connect C1 to the motors on B1 and B3.



C1



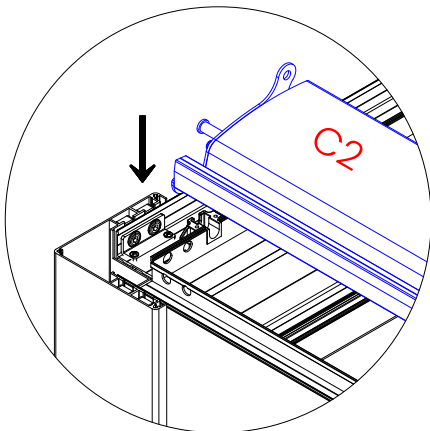
Motor



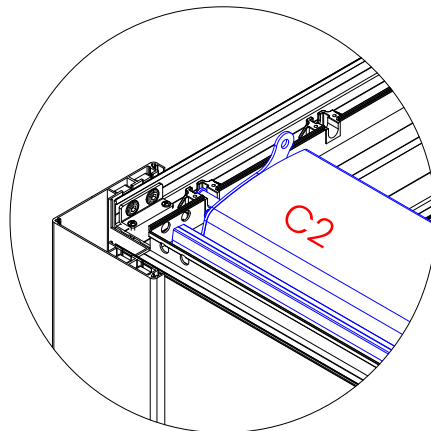
Please assemble the parts correctly as shown steps.



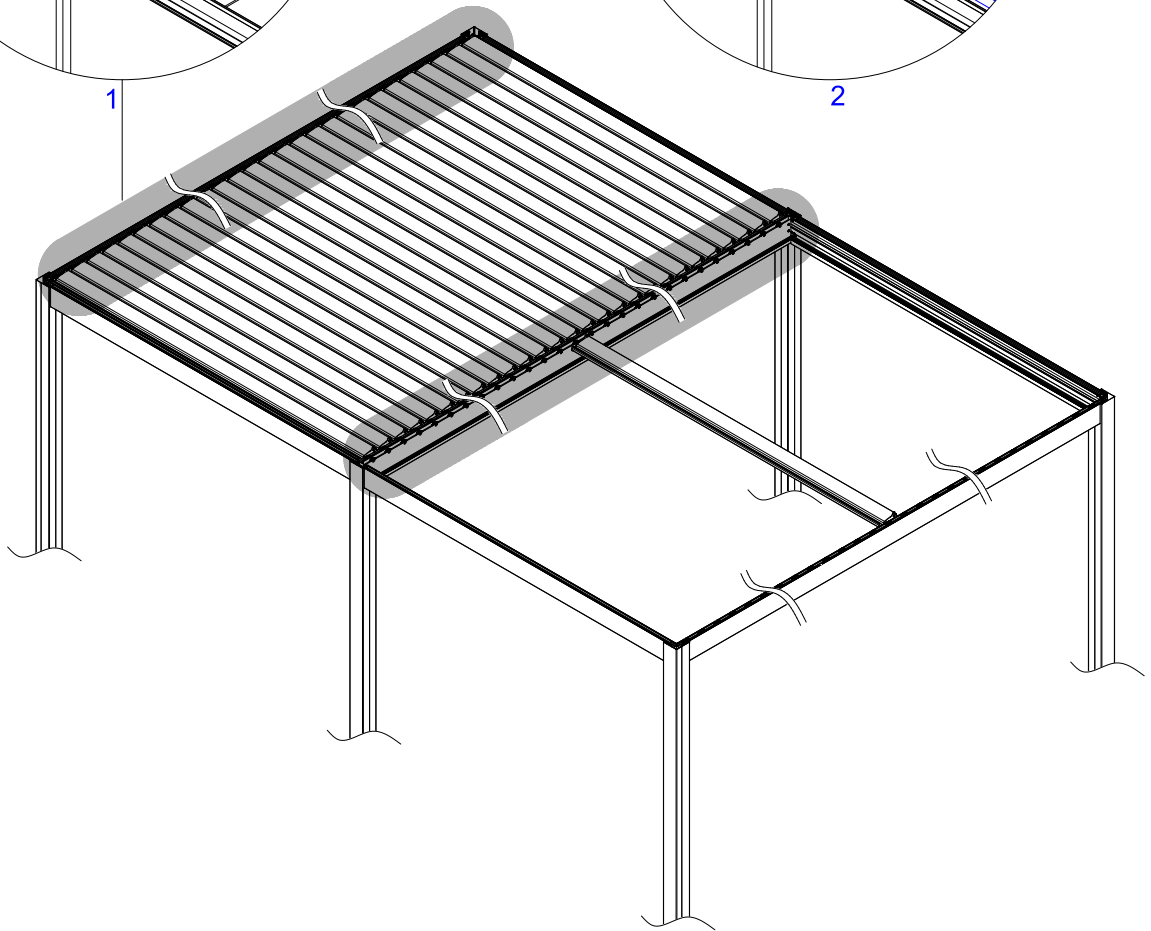
C2



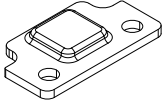
1



2



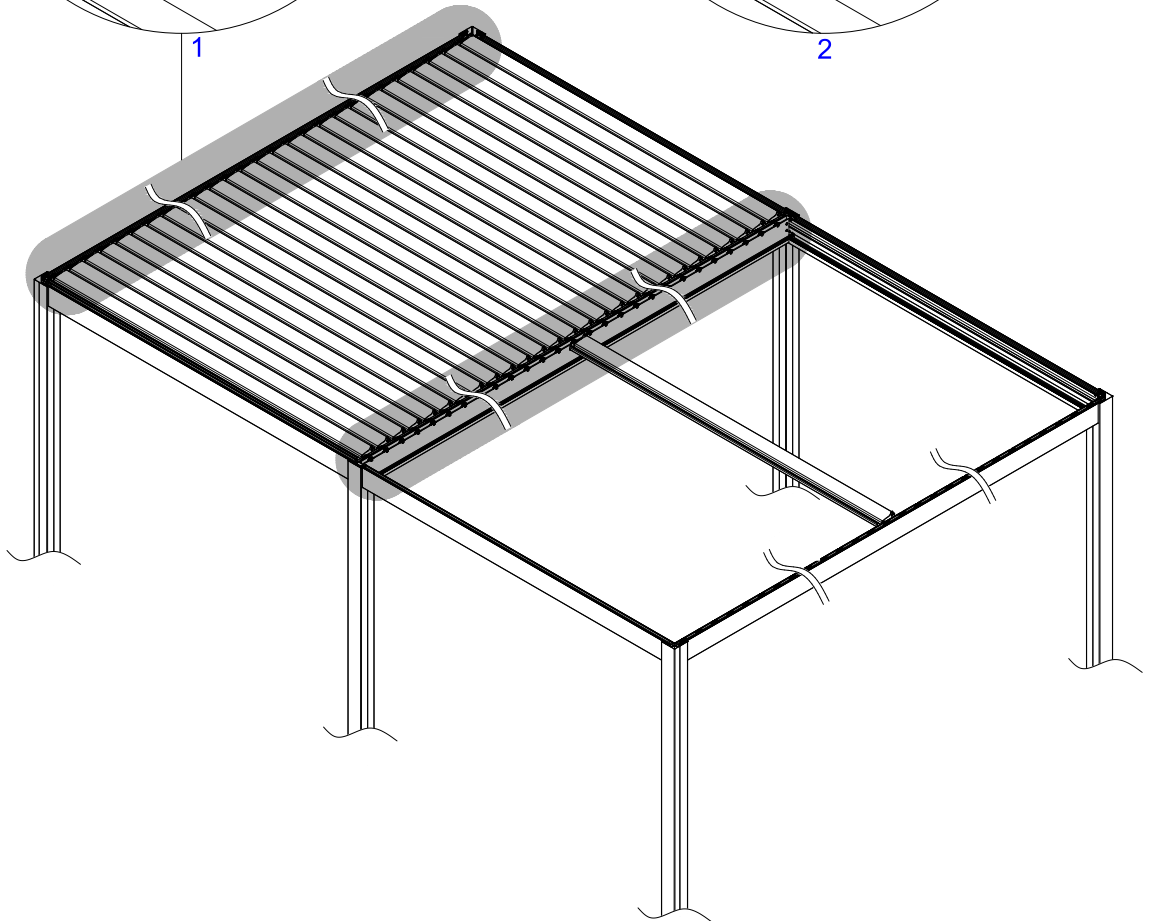
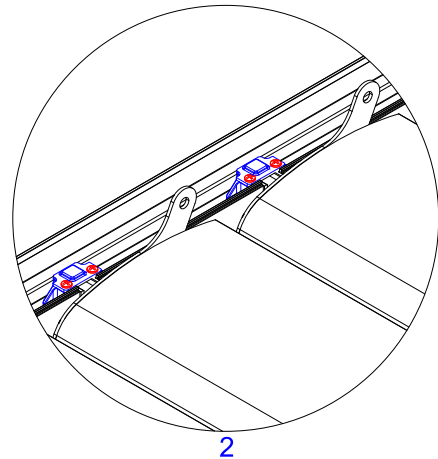
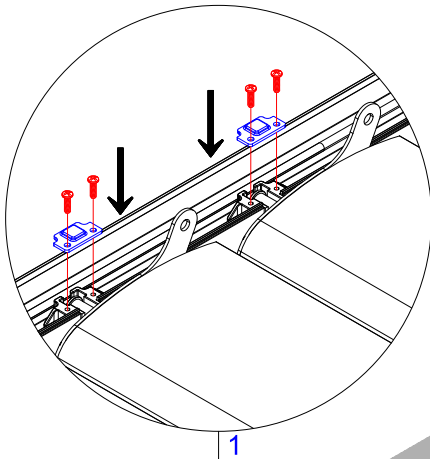
Please assemble the parts correctly as shown steps.



5-1



21-1



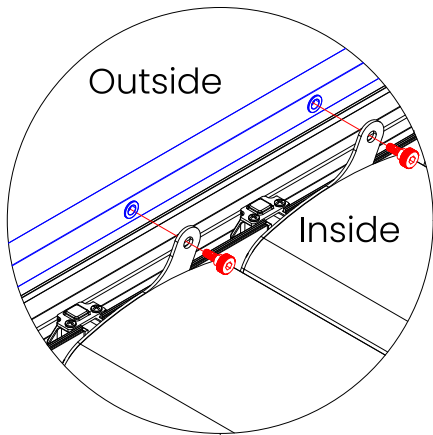
Please assemble the parts correctly as shown steps.



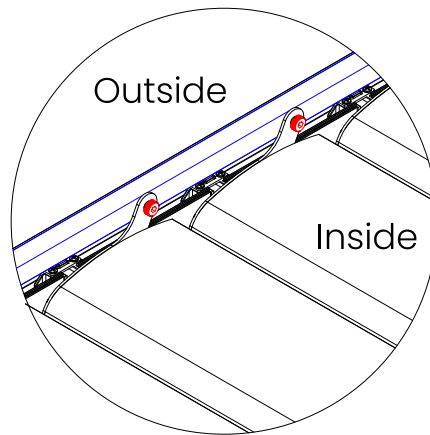
D1



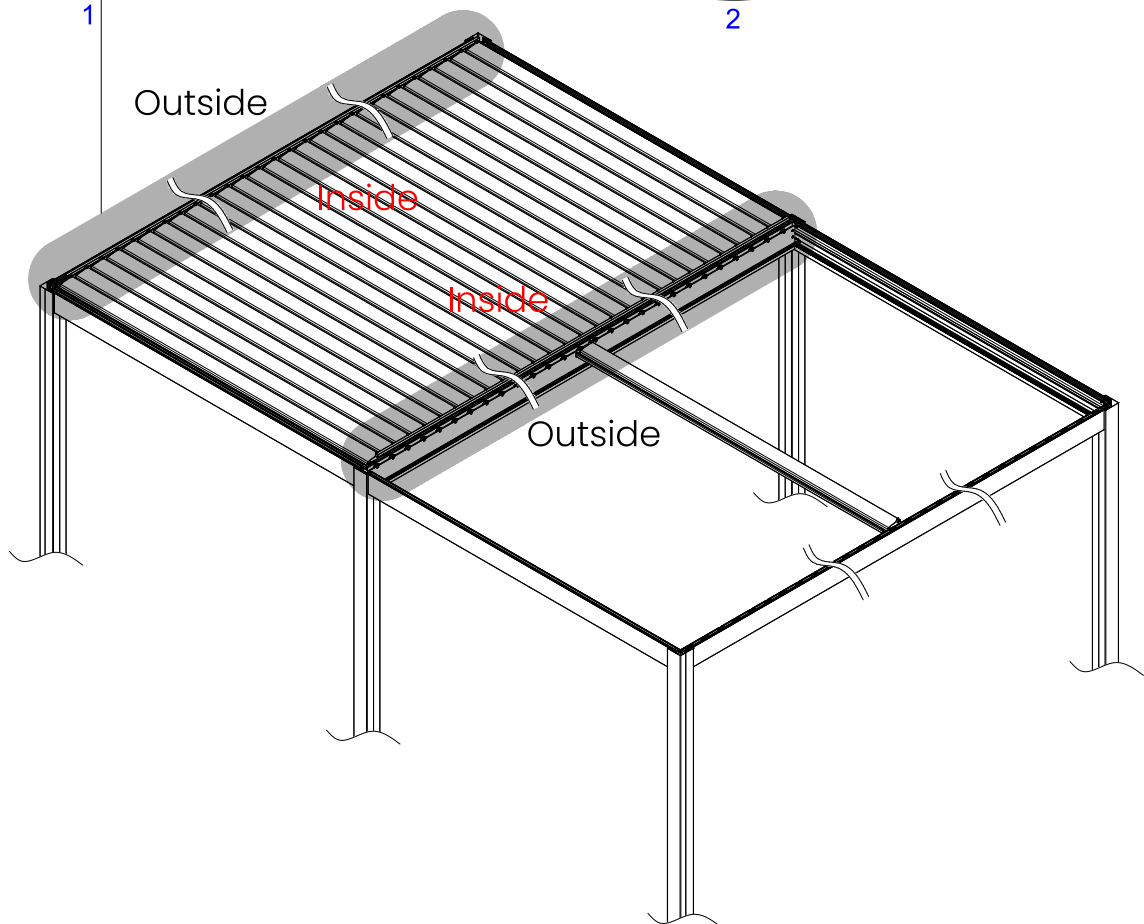
27-1



1



2



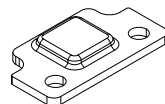
Please install the remaining 'C2' in the same way as shown earlier, and be sure to follow the steps below. Install them one by one (C2→5-1→21-1→D1→27-1), otherwise it will be very difficult to install D1 & 5-1 & 21-1 & 27-1 at B5.



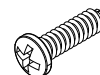
D1



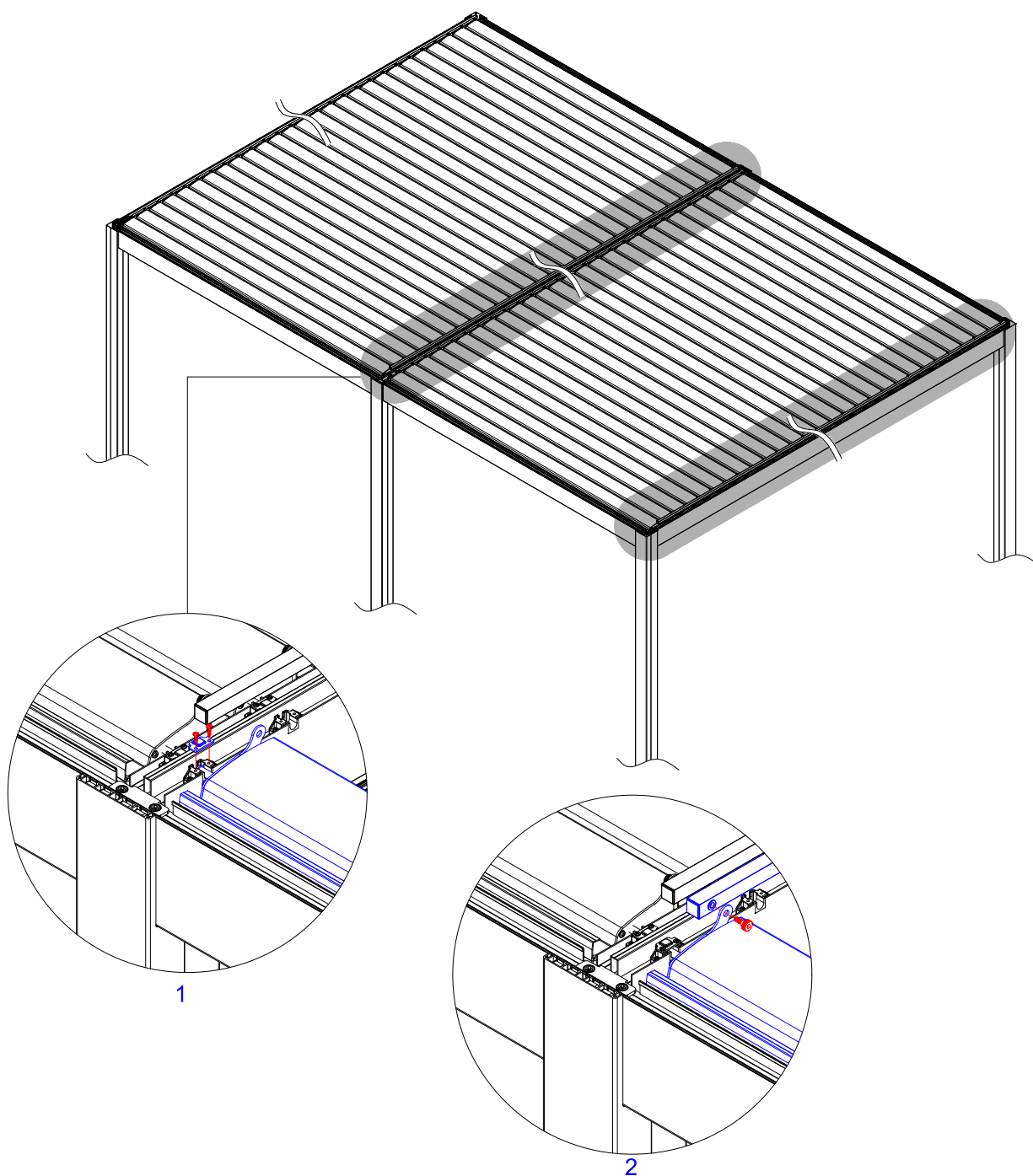
27-1



5-1

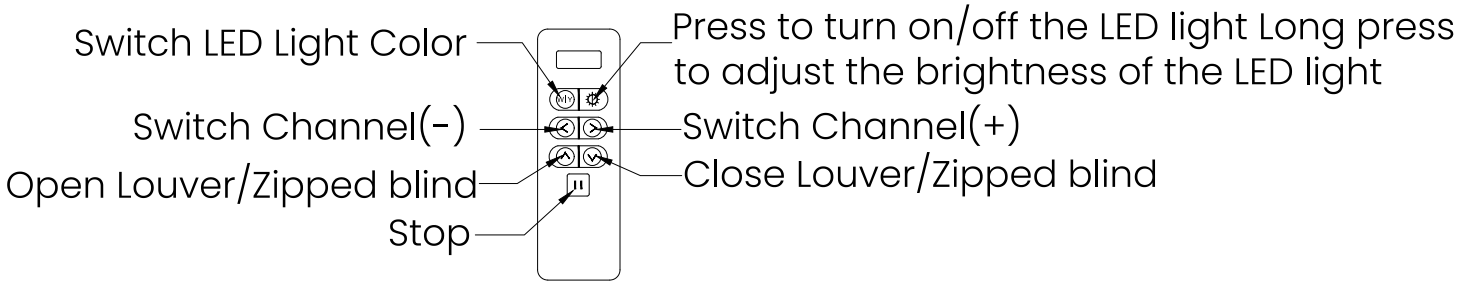


21-1



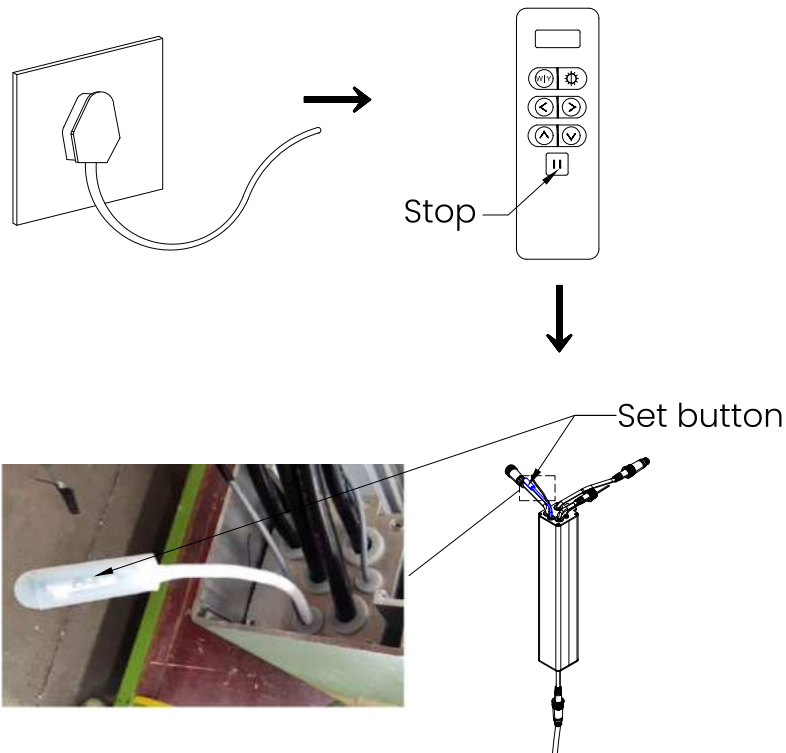
When the receiver cannot control the motor, please follow the steps below to program.

Normally no code pairing is required, please contact our team if you encounter any other problems.



Remote Control

- 1) Press and hold the "Set button", when the indicator light will start flashing and enter the pairing state.
- 2) Long press the remote control "stop button" for 2 seconds, after the indicator light stops flashing, release the button, and the code pairing is successful.



1) Download the Tuya app on your phone, open the app, and the "Add Device" screen will pop up automatically. Click "Add Device."

2) Choose the connection method (Wi-Fi), select a 2.4GHz Wi-Fi network, enter the password, and click "Next."

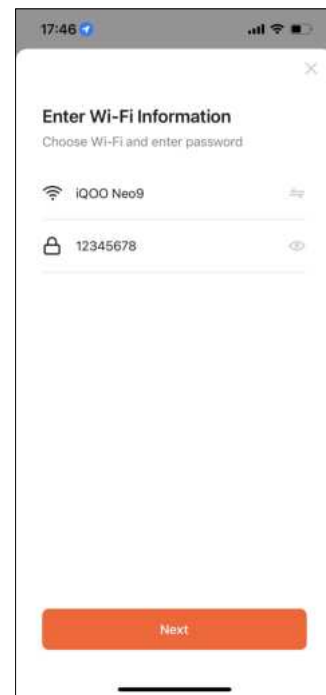
3) Once the device is added, click "Done" to enter the control page.

Congratulations, device pairing is complete! The next time you enter the app, click "Home," then click "Pergola" to enter the control page.

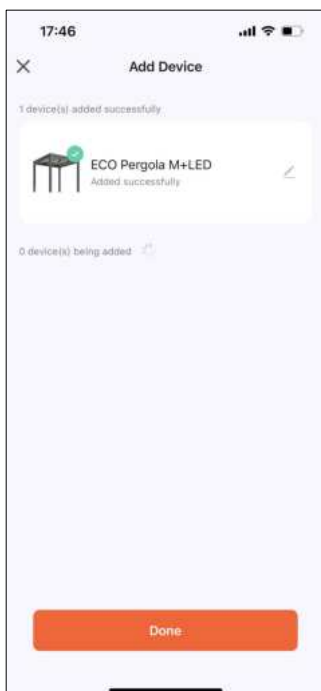
1



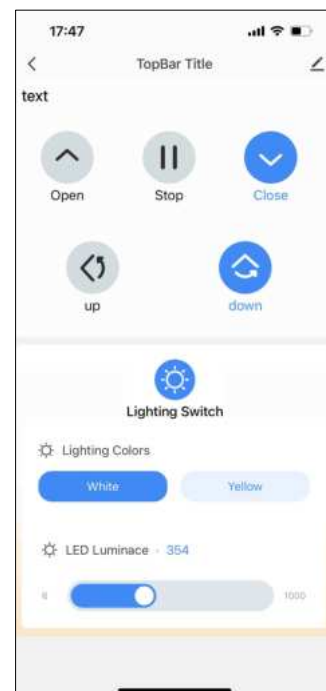
2



3



4



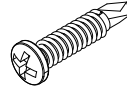
Install all "E" parts in the correct position (it is necessary to gently tap the "E" parts with a rubber mallet until the "E" parts are fully and correctly installed).



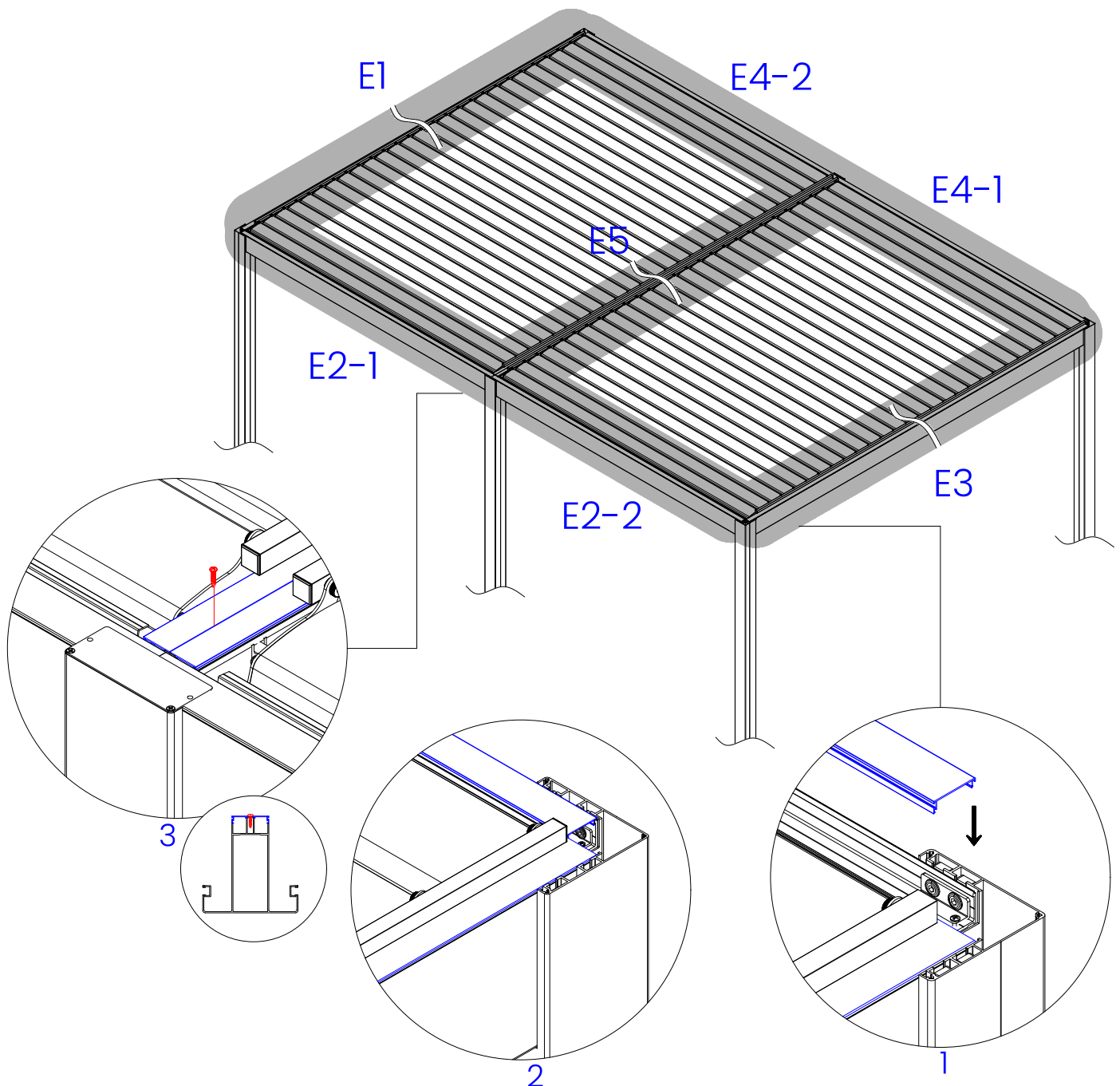
E1~E4



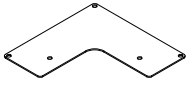
E5



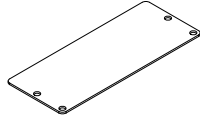
22-1



Please assemble the parts correctly as shown steps.



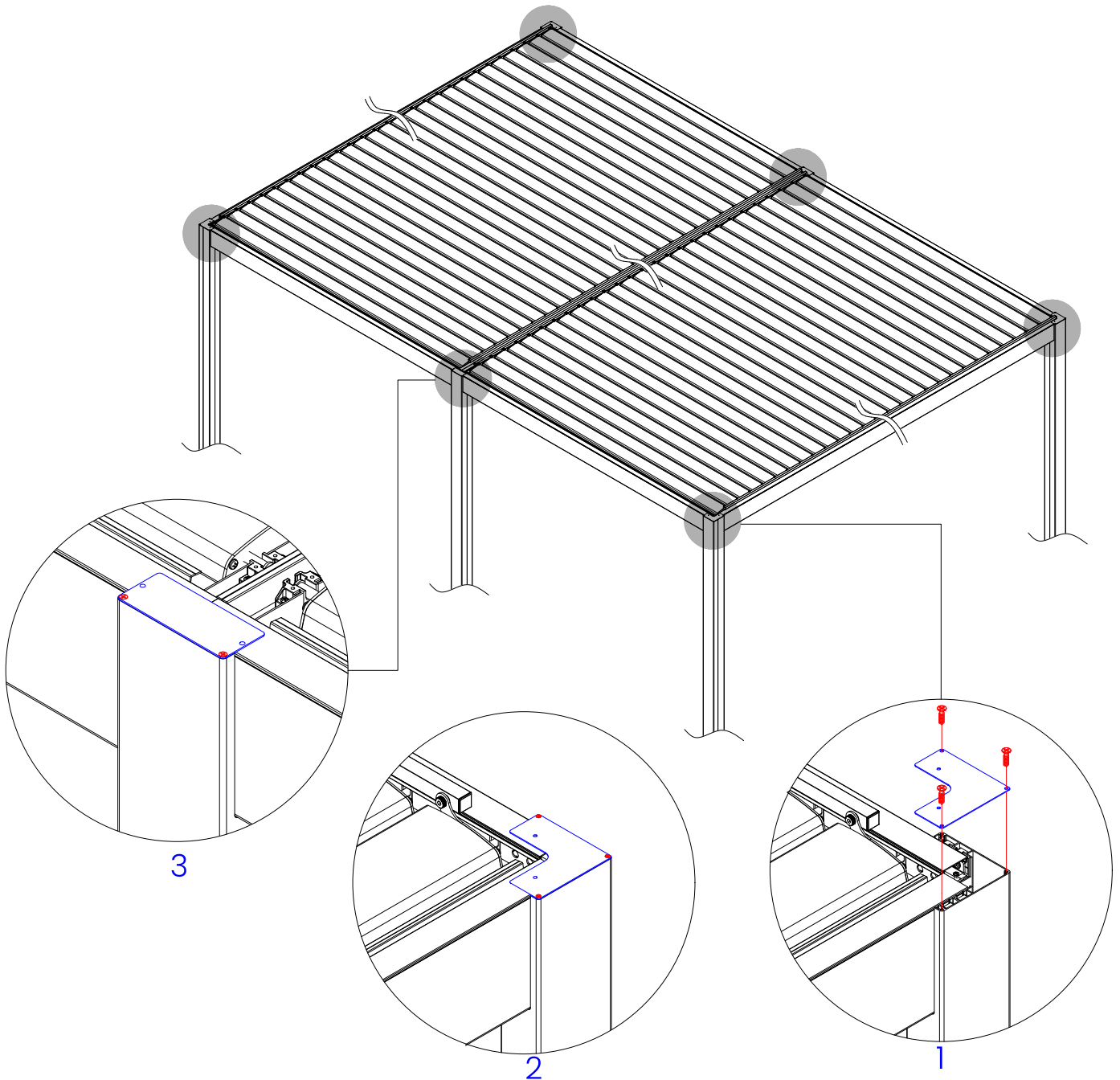
3-3



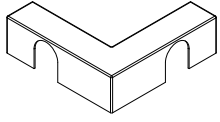
3-4



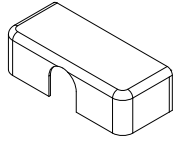
24-1



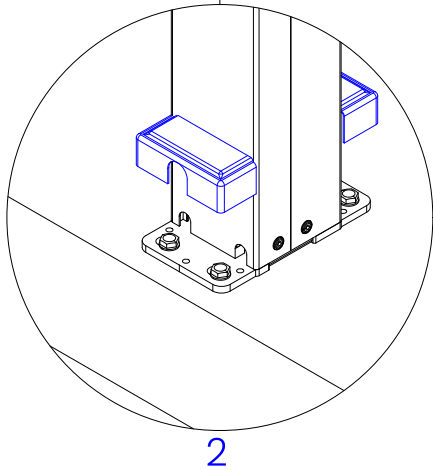
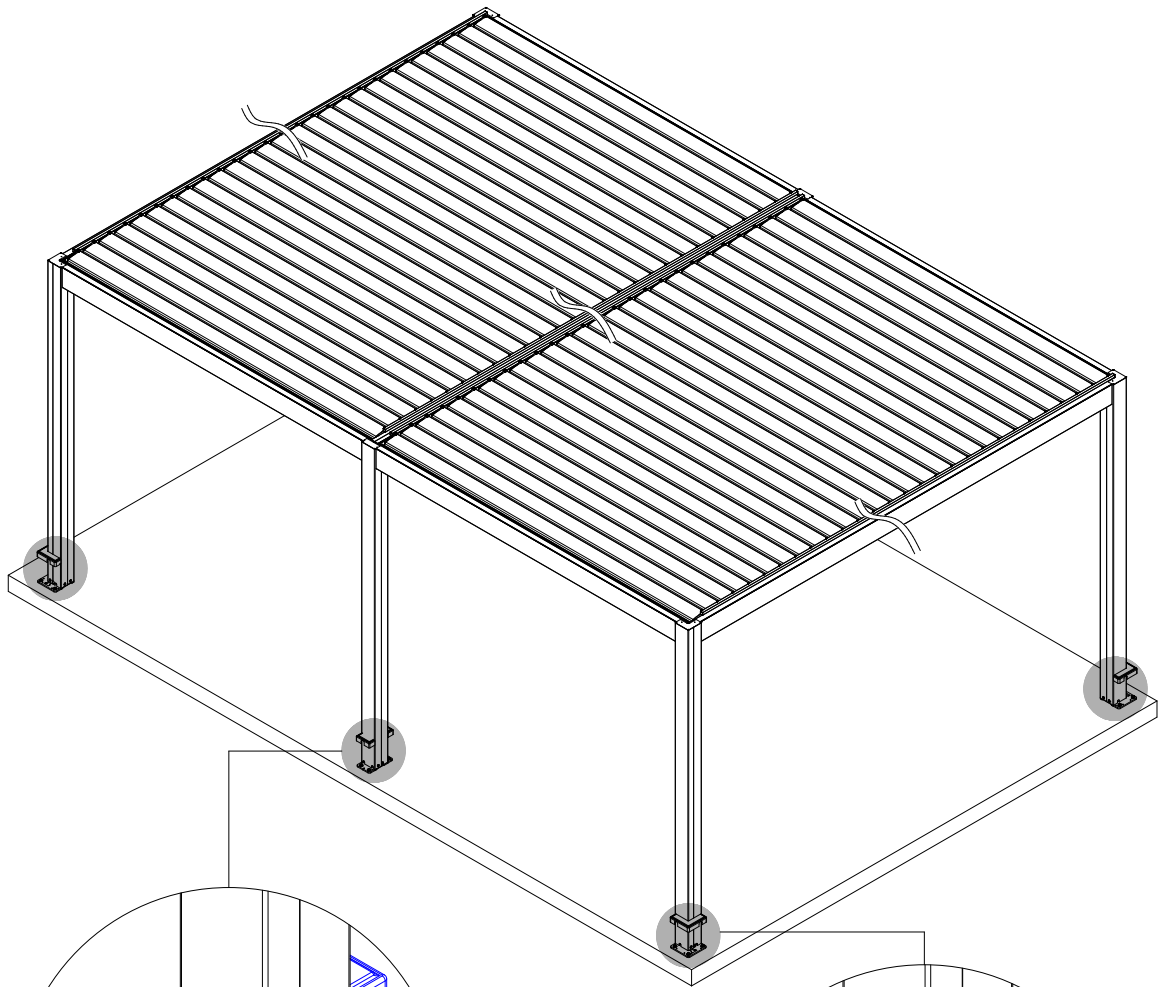
Please assemble the parts correctly as shown steps.



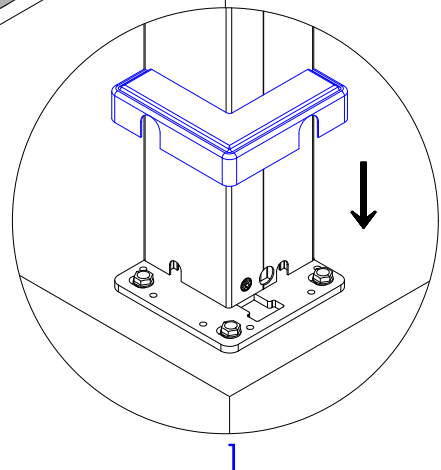
2-6



2-7



2



1

Caring for Your Pergola

- Structure surfaces coated with thermosetting powder coatings must be cleaned once a year to maintain their original aesthetic appearance.
- Thermosetting powders are sensitive to:
Physical friction, hard impact, extrusion, chemicals including alkaline solvent and acidic solvent.
- Natural elements such as wind, rain, snow, and prolonged sunlight. The exterior of the pergola may deteriorate over time and this will not be covered under warranty.

Cleaning Your Pergola

- Do not use scouring pad, cream cleaner, abrasive sponge, iron wire ball or coloured cloths.
- Recommended: Soft sponge, soft sand-free cloth, cotton wool, cotton or non-woven paper (white only).
- Do not use corrosive products such as acidic or alkaline cleaners. It is recommended to wash with neutral pH detergent water and then wipe it with a cloth to keep it dry.
- When cleaning with high-pressure equipment, the same precautions must be taken as when cleaning the car body: distance, nozzle type, water temperature and pressure should all be considered.

Use Reminder

- After the installation is complete, check that the screws are tight. Remember to check the screws at least once per year.
- **In an instance where snowfall, hail or strong winds greater than 80km/h are predicted, it is recommended to open the louvre blades. Do not operate the blades in the event of frost or snow. Please remove the blades from the pergola when the snow is abundant.**
- Regularly check the sealing conditions to ensure that the seals or other components do not leak.
- Regularly clean up debris such as fallen leaves on pergola to prevent blockage of the drain.
- Restrictions on use: Watertight systems, although effective, are not designed to ensure complete waterproofing.
- Heavy rain and strong winds may damage the pergola. Any damage incurred will not be covered under warranty.